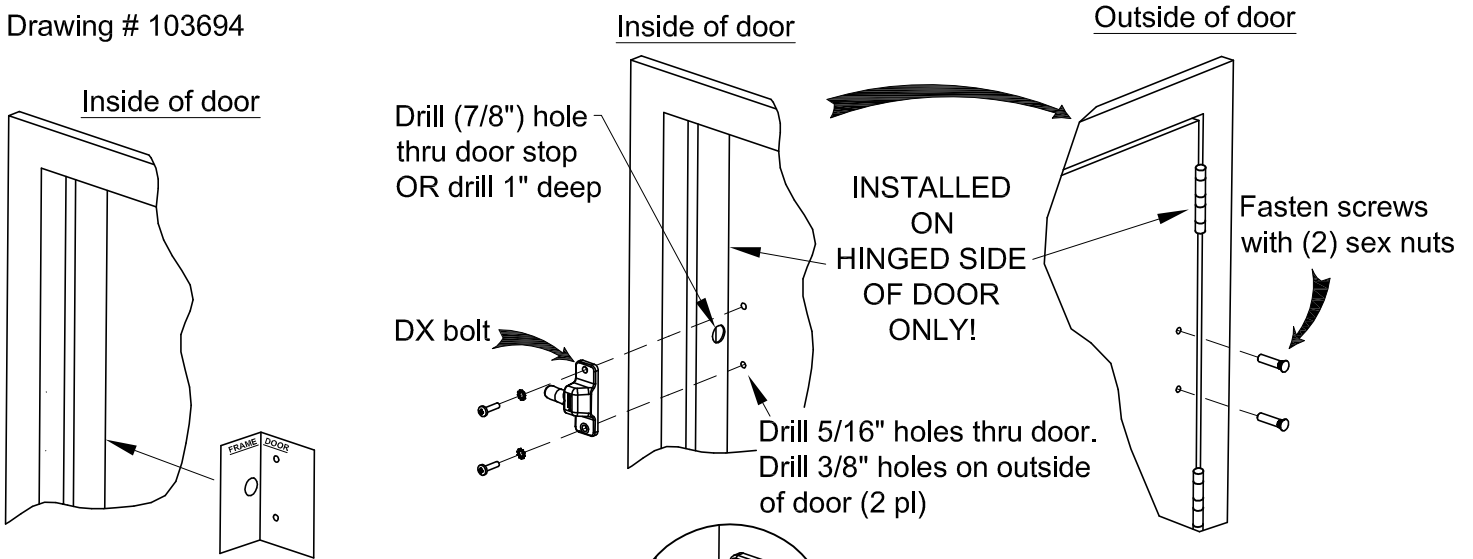


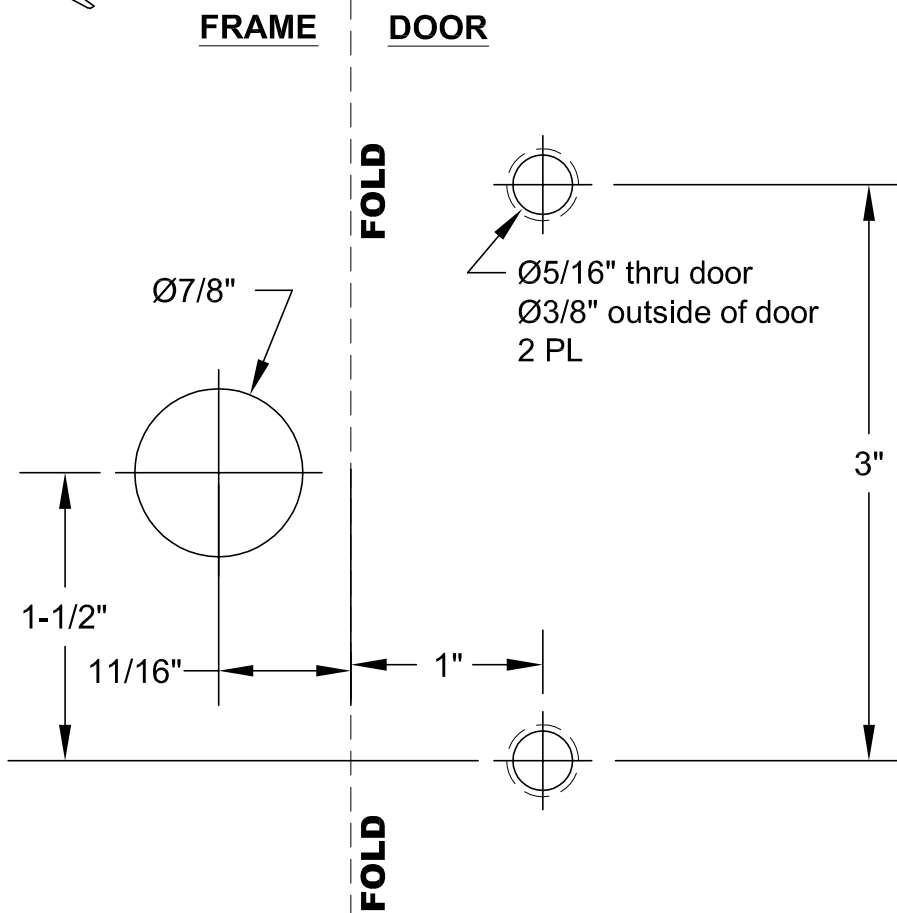
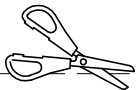
Detex Corporation, 302 Detex Drive, New Braunfels, Texas 78130-3045
 (830)629-2900 / 1-800-729-3839 / Fax (830)620-6711
 E-MAIL: detex@detex.com INTERNET: www.detex.com

INSTALLATION INSTRUCTIONS FOR DX BOLT

Drawing # 103694



Cut out template below & fold as shown. Place on inside face of door (hinged edge) & frame and mark hole locations



DX bolt kits		
Part No	Color	BOLT QTY per Kit
DX1	GRAY	1
DX2		2
DX3		3
DX1-BK	BLACK	1
DX2-BK		2
DX3-BK		3

Use template for marking holes!