



EDx10 EDx20/21 EDx30 EDx40 EDx50/51

Electric Dogging

The Electric Dogging EasyKits are designed for entrance and exit doors that require panic or fire exit hardware. When energized, and after the pushpad is depressed, the pushpad and the latch bolt remain retracted, providing push-pull operation. Relocking all devices is accomplished by using a single switch or through a fire alarm input. All components required for this installation are included in one easy-to-order kit.



Power Supply
(90-800 Shown)



Electric Dogging Exit Device
(10 Series Shown)

Also Included:

Outside Trim (Call
Factory for Options)

Wiring Diagram

(Shown on 10 Series Rim Exit Device - Available with 10/40 Rim, 30 Mortise, 20/21/50/51 Surface Vertical Rod, and 60/61/62/63/70/71/80/81/82/83 Concealed Vertical Rod Devices)

Benefits

- Best-in-class components provide for fast, easy installation
- All components included in one, easy-to-specify part number
- Great for locking down large campuses, using a single switch

Features

- Configured Electric Dogging EasyKit includes all hardware, instructions, riser illustration and point-to-point wiring diagram
- Advantex panic device has stainless steel deadlocking Pullman-type latch bolt
- Heavy-duty angled end cap deflects damage away from panic device
- Exit hardware (10/40) is non-handed or reversible
- Available in various configurations, for single or paired openings

Mechanical Options

- F - 3-Hour Fire Rated exit device
- 36 - Fits 36" door width (Std.)
- 99 - Surface strike (Std.)
- 48 - Fits 48" door width
- 98 - Semi mortise strike

Accessories

- SN1 - Sex Nut Fasteners
- Various configurable cylinder trims, pulls and levers (Call factory for specific details)
- GB# - Glass Bead Kits

Electrical Options

- 90-800 Power Supply - 24VDC filtered, regulated with fire loop connection
- Request to Exit (EX)
- PP-5152-2 24VAC Transformer



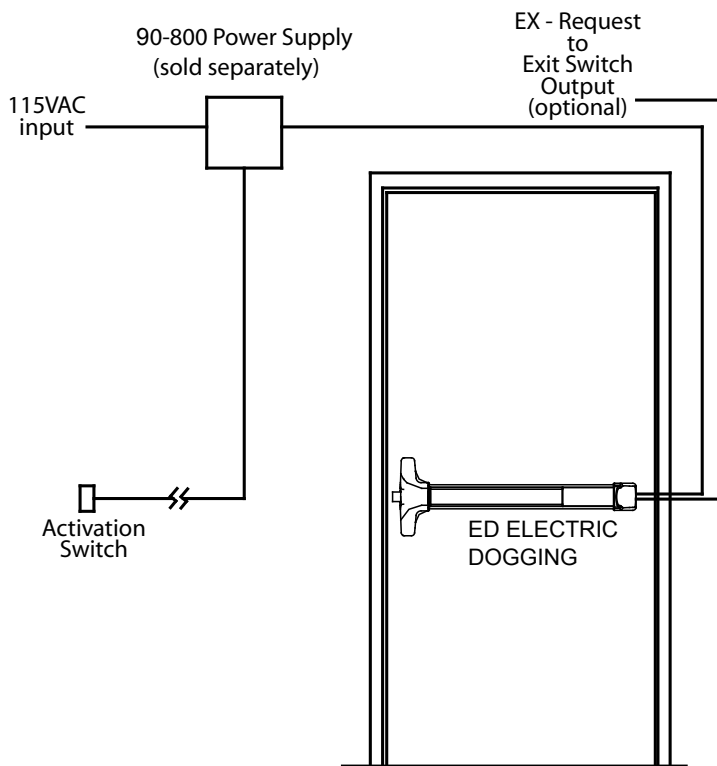
Technical Information

- Door Types - Wood, Hollow Metal, Fiberglass or Aluminum
- Door Stile - Fits Minimum 4-5/8" with 99 strike (Std.)
- Machine and Sheet Metal Screws (Std.)
- Door Thickness - Fits standard 1-3/4" - 2-1/4" (for other door thicknesses, contact factory)
- Door Stile - Fits Minimum 4-1/8" with 98 strike
- Rail is heavy ribbed aluminum extrusion

Finishes (Advantex)

- 605 / US3 - Polished Brass
- 612 / US10 - Brushed Bronze
- 629 / US32 - Polished Stainless Steel
- 606 / US4 - Brushed Brass
- 613 / US10B - Oil Rubbed Bronze
- 630 / US32D - Brushed Stainless Steel
- 611 / US9 - Polished Bronze

Riser Diagram



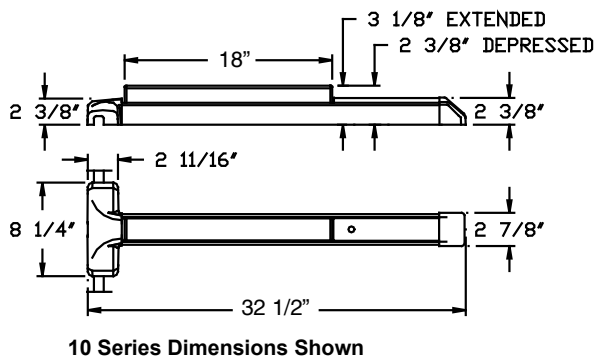
Listings and Approvals

See individual Series (i.e. 10 Series) information for listings and approvals

Detex Limited Warranty

Advantex - 10 Year Mechanical / 3 Year Electrical Manufacturers Limited Warranty

Dimensions



DETEX[®]
A Century of Security
1923-2023

Detex Corporation
302 Detex Drive
New Braunfels, Texas 78130-3045 USA
PH. (830) 629-2900
(800) 729-3839
FAX (800) 653-3839
<http://www.detex.com>
USA Sales:
marketing@detex.com
International Sales:
export@detex.com

 Cancer & Reproductive Harm - www.detex.com/prop65