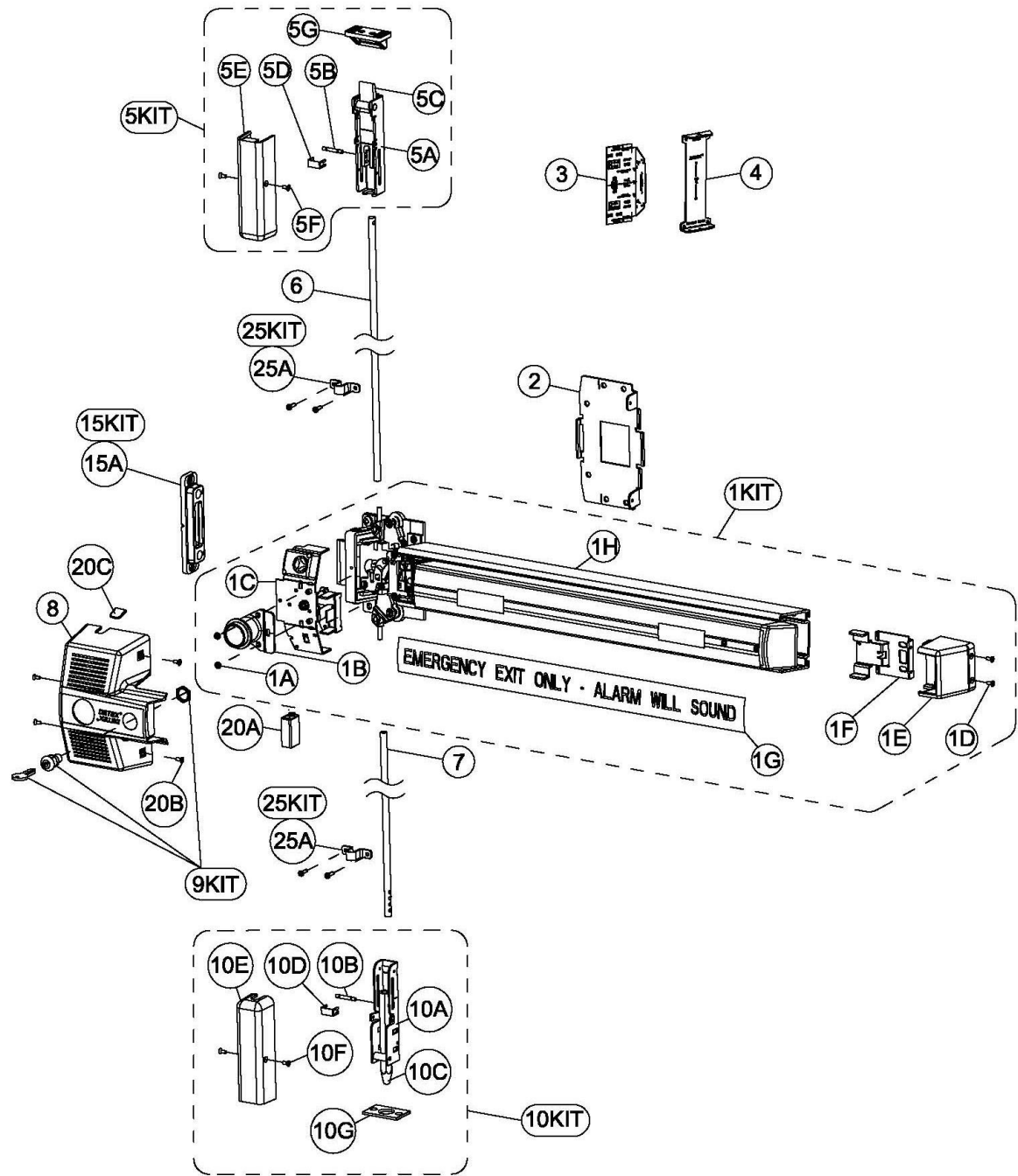




ECL-230X Parts List



Item	Order Part#	Description	Price
1KIT	105431-1	S&R ECL-230X core assy, single point (includes items 1A-1H)	\$932.00
	105431-2	S&R ECL-230X core assy, TDB, TD (includes items 1A-1H)	\$1,067.00
	105431-3	S&R ECL-230X core assy, H (includes items 1A-1H)	\$1,162.00
	105431-4	S&R ECL-230X core assy, TDB, H (includes items 1A-1H)	\$1,543.00
	105431-5	S&R ECL-230X core assy, 30" single point (includes items 1A-1H)	\$932.00
	105431-6	S&R ECL-230X core assy, 30" TDB (includes items 1A-1H)	\$985.00
1A	103699-104	Screw 8-32 x 1/4 cone	\$0.54
1B	103629	IKC cylinder housing	\$8.40
1C	103650-1	Siren bracket assy	\$136.00
	103650-2	Siren bracket assy, weatherized	\$192.00
1D	PP-5377-106	Screw 8-32 x 3/8 FH	\$0.27
	101950-505	Screw 8-32 x 5/16 FH, weatherized	\$5.25
1E	103641-1	Endcap cover	\$7.35
1F	103625	Endcap bracket	\$10.50
1G	103647-1	Pushpad sign, 230X, english, red, std	\$24.00
	103647-13	Pushpad sign, 230X, english, red, 30"	\$16.80
1H	105432-1	S&R, ECL-230X Internal Pushpad Assy, single point	\$747.00
	105432-2	S&R, ECL-230X Internal Pushpad Assy, TDB/TD	\$805.00
	105432-3	S&R, ECL-230X Internal Pushpad Assy, H	\$981.00
	105432-4	S&R, ECL-230X Internal Pushpad Assy, TDB/H	\$1,357.00
2	103632	Backplate	\$15.75
3	103643	Lockbody main template	\$8.40
4	103687	Top and Bottom latch template	\$3.44
5KIT	103693-1	Top bolt assy, standard (includes item 5A-5G)	\$205.00
	103693-2	Top bolt assy, weatherized (includes item 5A-5G)	\$205.00
5A	103691	Top bolt bracket	\$53.00
5B	103533	Bolt pin	\$6.30
5C	103639	Top bolt	\$105.00
5D	103551	Bolt clip	\$5.25
5E	103652-1	Top/bottom cover	\$11.55
5F	100156-104	Screw 8-32 x 1/4 FH	\$0.14
	101950-505	Screw 8-32 x 5/16 FH, weatherized	\$5.25
5G	103634	Top strike	\$27.00
6	103674	Top rod (84")	\$65.00
	103073-2	Top rod assy (96")	\$260.00
	103073-3	Top rod assy (120")	\$309.00

Item	Order Part#	Description	Price
7	103544	Bottom rod	\$49.00
8	105435-1	Cover assy, TDB/TD	\$49.00
	105435-2	Cover assy, single point	\$98.00
	105435-3	Cover assy, TDB/TD, weatherized	\$141.00
	105435-4	Cover assy, single point, weatherized	\$115.00
	105435-5	Cover assy, TDB/TD, hurricane	\$191.00
	105435-6	Cover assy, single point, hurricane	\$115.00
9KIT	PP-5572	Lockset w/2 keys (includes 9A) (select key number 11-20)	\$143.00
9A	ECL-405	Key (select key number 11-20)	\$6.00
10KIT	103692-1	Bottom bolt assy (includes items 10A-10G)	\$126.00
	103692-2	Bottom bolt assy weatherized (includes items 10A-10G)	\$126.00
10A	103555	Bottom bolt bracket subassy	\$58.00
10B	103533	Bolt pin	\$6.30
10C	103536-1	Bottom bolt, hurricane	\$42.00
10D	103551	Bolt clip	\$5.25
10E	103652-1	Top/bottom cover	\$11.55
10F	100156-104	Screw 8-32 x 1/4 FH	\$0.14
	101950-505	Screw 8-32 x 5/16 FH, weatherized	\$5.25
10G	103546	Bottom strike plate	\$16.80
15KIT	103660	Strike kit, standard (includes item 15A)	\$56.00
	103660-1	Strike kit, high strength (includes item 15A)	\$96.00
15A	103614	Strike	\$57.00
20KIT	103640	Hardware kit, single point (not shown) (includes items 20A-20C)	\$48.00
	103640-4	Hardware kit, three point std & hurricane (not shown) (includes items 20A-20C)	\$53.00
	103640-6	Hardware kit, single point hurricane (not shown) (includes items 20A-20C)	\$49.00
	103640-10	Hardware kit, single point, weatherized (not shown) (includes items 20A-20C)	\$48.00
	103640-14	Hardware Kit, three point, weatherized (not shown) (includes items 20A-20C)	\$69.00
20A	PP-5567	9V Battery	\$11.00
20B	PP-5377-106	Screw, mach, 8-32 x 3/8" PFH	\$0.27
20C	103645	Rod cover cap	\$52.00
25KIT	104073-1	Rod guide kit one (not shown) (includes 25A)	\$66.00
	104073-2	Rod guide kit two (not shown) (includes 25A)	\$13.65
	104073-3	Rod guide kit three (not shown) (includes 25A)	\$21.00
25A	103534	Rod guide	\$10.50

NOTE: Your particular part or configuration may not be shown: Contact Detex technical support at 800-729-3839 (option 2)

