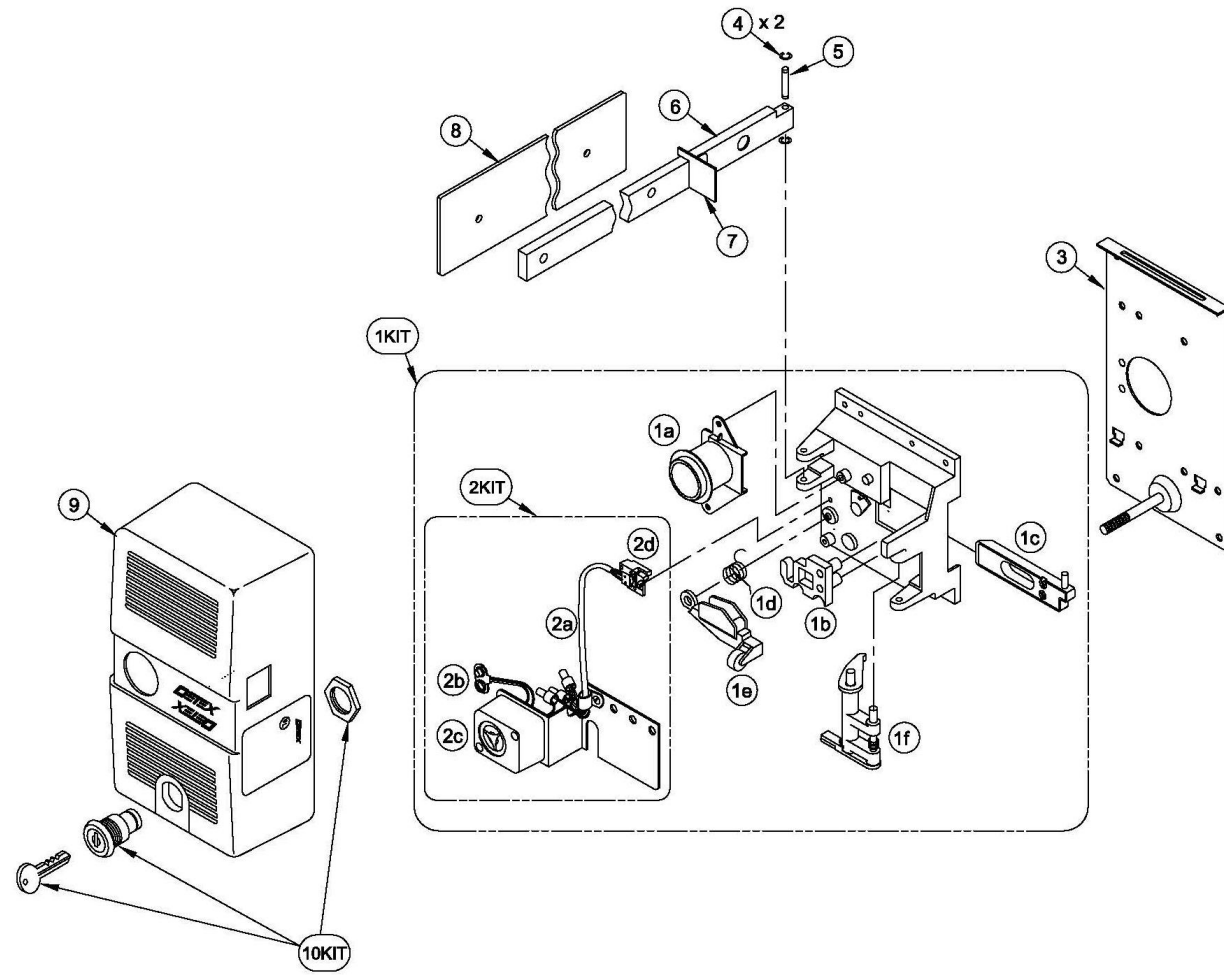




ECL-230D / ECL-230D-PH Parts List



Item	Order Part#	Description	Price
1KIT	ECL-243PH	Mechanism Assembly (includes 1a-1f & 2 kit)	\$245.00
1a	ECL-1576-15	Cam Bridge Assembly	\$19.95
1b	ECL-285A	Cam Plate Bottom	\$6.30
1c	ECL-306-1	Bolt Assembly	\$34.00
1d	ECL-284	Detent Spring	\$2.29
1e	ECL-293A	Detent Lever & Roller Assembly	\$8.40
1f	ECL-1576-20	Actuator & Release Lever Kit	\$26.00
2KIT	100069-1	Siren Switch Assembly (includes 2a-2d)	\$53.00
2a	ECL-204-1	Switch Assembly	\$18.90
2b	100331	9V Battery Connector	\$2.04
2c	PP-5966-1	Siren	\$11.55
2d	101796	Holder-Switch Actuator Replacement kit	\$15.75
3	ECL-354AR	Backplate	\$19.95
4	PP-5090-1	Retaining Ring	\$0.27
5	ECL-236	Bar Pin	\$1.15
6	ECL-332	Paddle Bar, Short	\$30.00
	ECL-2105	Paddle Bar, Long	\$55.00
7	ECL-419	Bar Shield	\$0.57
8	ECL-8220	Paddle Bar Plate, Short (2holes)	\$26.00
	ECL-2109	Paddle Bar Plate, Long (3holes)	\$36.00
9	ECL-355	Cover	\$68.00
10KIT	PP-5572	Lockset with 2 Keys (includes 10a) (select key number 11 thru 20)	\$15.00
10a	ECL-405	Key (select key number 11 thru 20)	\$6.00
10b	ECL-405-KIT	Set of all keys (includes key numbers 11 thru 20)	\$24.00

NOTE: Your particular part or configuration may not be shown: Contact Detex technical support at 800-729-3839 (option 2)

March 8, 2023

