



DEPARTMENT OF REGULATORY AND ECONOMIC RESOURCES (RER)
 BOARD AND CODE ADMINISTRATION DIVISION
NOTICE OF ACCEPTANCE (NOA)

Detex Corporation
302 Detex Drive
New Branufels, TX 78130

SCOPE:

This NOA is being issued under the applicable rules and regulations governing the use of construction materials. The documentation submitted has been reviewed and accepted by Miami-Dade County RER -Product Control Section to be used in Miami Dade County and other areas where allowed by the Authority Having Jurisdiction (AHJ).

This NOA shall not be valid after the expiration date stated below. The Miami-Dade County Product Control Section (In Miami Dade County) and/or the AHJ (in areas other than Miami Dade County) reserve the right to have this product or material tested for quality assurance purposes. If this product or material fails to perform in the accepted manner, the manufacturer will incur the expense of such testing and the AHJ may immediately revoke, modify, or suspend the use of such product or material within their jurisdiction. RER reserves the right to revoke this acceptance, if it is determined by Miami-Dade County Product Control Section that this product or material fails to meet the requirements of the applicable building code.

This product is approved as described herein, and has been designed to comply with the Florida Building Code, including the High Velocity Hurricane Zone.

DESCRIPTION: Detex Series "H-ECL-230X (single point) Panic Exit Device & H-ECL-230X-TDB (3- points) Panic Exit Devices -Impact (Component Approval)

APPROVAL DOCUMENT: Drawing No. **DTX05 (old15-140)**, titled "HECL-230X Series Panic Exit Hardware" sheets 1 through 6 of 6, prepared by Building Drops, Inc., dated 12/21/2018, signed and sealed by Hermes Norero, P.E., bearing the Miami-Dade County Product Control Revision stamp with the Notice of Acceptance number and expiration date by the Miami-Dade County Product Control Section.

MISSILE IMPACT RATING: Large and Small Missile Impact

Limitations:

1. See Panic Exit (component) Design Pressure Ratings (DP) for series **H-ECL-230X (single point or 3-point option)** in 18 ga doors, in sheets 1 thru 3. See higher DP ratings Panic Exit (component) for series **H-ECL-230X & H-ECL-230X-TBD (3-point option only)** in 16 ga doors, in sheets 4 thru 6. Lower DP ratings of Panic Exit Component Approval or Door System shall control the entire assembly. See door system qualifications and additional limitations in sheets **1** and **4** of the approval drawings. Double Doors require Detex **H90R5 (5/16"** thk-Sheet **6**) steel mullion.
2. Not approved for water resistance ratings, unless entire units are installed under overhang ratio (OH) equal or greater than 1, per FBC requirements.

LABELING: Each unit shall bear a permanent label with the manufacturer's name or logo, city, state and series and following statement: "Miami-Dade County Product Control Approved", noted herein.

RENEWAL of this NOA shall be considered after a renewal application has been filed and there has been no change in the applicable building code negatively affecting the performance of this product.

TERMINATION of this NOA will occur after the expiration date or if there has been a revision or change in the materials, use, and/or manufacture of the product or process. Misuse of this NOA as an endorsement of any product, for sales, advertising or any other purposes shall automatically terminate this NOA. Failure to comply with any section of this NOA shall be cause for termination and removal of NOA.

ADVERTISEMENT: The NOA number preceded by the words Miami-Dade County, Florida, and followed by the expiration date may be displayed in advertising literature. If any portion of the NOA is displayed, then it shall be done in its entirety.

INSPECTION: A copy of this entire NOA shall be provided to the user by the manufacturer or its distributors and shall be available for inspection at the job site at the request of the Building Official.

This NOA **revises & renews #15-0603.15** consists of this page 1 and evidence pages E-1 & E-2, as well as approval document mentioned above.

The submitted documentation was reviewed by **Ishaq I. Chanda, P.E.**



NOA No. 18-1017.06
 Expiration Date: November 28, 2023
 Approval Date: January 10, 2019

1/21/19

NOTICE OF ACCEPTANCE: EVIDENCE SUBMITTED

1. Evidence submitted in previous files

A. DRAWINGS

1. Manufacturer's parts drawings and sections (submitted under file # **13-0617.22**)
2. Drawing No. **15-140** (old**13-035**) , titled "H-230X Series Panic Exit Hardware" sheets 1 through 6 of 6, prepared by Tilteco, Inc., dated 05/22/15, signed and sealed by Walter A. Tillit Jr., P.E.

Note: This revision consist of addition of FBC 2014 (5th edition) compliance.

B. TESTS (submitted under files #15-0603.15**/**#13-0617.22**)**

1. Test reports on: 1) Air Infiltration Test, per FBC, TAS 202-94
2) Uniform Static Air Pressure Test, Loading per FBC TAS 202-94
3) Water Resistance Test, per FBC, TAS 202-94
4) Large Missile Impact Test per FBC, TAS 201-94
5) Cyclic Wind Pressure Loading per FBC, TAS 203-94
6) Forced Entry Test, per FBC 2411 3.2.1, TAS 202-94

Along with installation diagrams of Panic exit devices and revised marked-up drawings, prepared by Architectural Testing, Test Report No(s). **C-2828.01-450-18**, dated 03-14-13 and revised on 09/27/13 and **C-3375.01-450-18**, dated 03-20-13 and revised on 09/26/13, both signed and sealed by Vine J. Abraham, P.E.

C. CALCULATIONS (submitted under file # **13-0617.22)**

1. Anchor verification & Mullion structural calculation dated 06/04/13 & 10/10/13, prepared by Tilteco, Inc, signed and sealed by Walter A. Tillie Jr., P.E.

D. QUALITY ASSURANCE

1. Miami Dade Department of Regulatory and Economic Resources (RER).

E. MATERIAL CERTIFICATIONS

1. None

F. STATEMENTS

1. Statement letter of conformance to FBC 2014(5th edition), dated 05/14/15 issued by Tilteco Inc., signed and sealed by Walter A. Tilliet Jr., P.E.
2. Lab compliance as part of the above referenced test report.
3. Addendum letter dated 09/27/13, issued by Architectural Testing, signed by Ms. Kristin Nolan (submitted under file # **13-0617.22**)

G. OTHER (except item #1, balanced submitted under file # **13-0617.22)**

1. This NOA revises #**13-0617.22**, expiring 11/28/18.
2. Test proposal # 12-1680 dated 09/21/12, approved by RER.
3. Reference Daybar door NOA#12-0216.08.
4. Mullion top & bottom fittings cast drawings and Detex Panic Devices brochures.



Ishaq I. Chanda, P.E.

Product Control Examiner

NOA No. 18-1017.06

Expiration Date: November 28, 2023

Approval Date: January 10, 2019

NOTICE OF ACCEPTANCE: EVIDENCE SUBMITTED

1. New Evidence submitted

A. DRAWINGS

1. Drawing No. **DTX05** (old**15-140**) , titled “HECL-230X Series Panic Exit Hardware” sheets 1 through 6 of 6, prepared by Building Drops, Inc., dated 12/21/2018, signed and sealed by Hermes Norero, P.E.

B. Test

1. None.

C. CALCULATIONS

1. Anchor verification and mullion structural analysis dated 10/04/18, prepared by Building Drops Inc, signed and sealed by Hermes F. Norero, P.E.

D. QUALITY ASSURANCE

1. Miami Dade Department of Regulatory and Economic Resources (RER).

E. MATERIAL CERTIFICATIONS

1. None.

F. STATEMENTS

1. Statement letter of conformance to FBC 2017(6th Edition), dated 05/23/2018, signed and sealed by Hermes F. Norero, P.E.
2. Statement letter of successor Engineer adoption of “another Engineer’s work as his own” per chapter 61G16-27 and compliance to FBC 2014 (5th Edition) dated 03/14/17, prepared by Building Drops, signed and sealed by Hermes F. Norero, P.E.

G. OTHER

1. This NOA **revises & renews #15-0603.15**, expiring 11/28/23.



Ishaq I. Chanda, P.E.

Product Control Examiner

NOA No. 18-1017.06

Expiration Date: November 28, 2023

Approval Date: January 10, 2019

GENERAL NOTES FOR DETEX SERIES H-ECL- 230X (SINGLE POINT LOCK) AND H-ECL-230X-TBD (3 POINT LOCK) DEVICES FOR SINGLE AND DOUBLE DOOR (18 GAUGE) APPLICATION:

1. DETEX DEAD BOLT PANIC HARDWARE SHOWN ON THIS PRODUCT APPROVAL DOCUMENT (PAD) HAS BEEN VERIFIED FOR COMPLIANCE IN ACCORDANCE WITH THE 6TH EDITION OF THE FLORIDA BUILDING CODE. DETEX DEAD BOLT PANIC HARDWARE MAY BE INSTALLED WITHIN HIGH VELOCITY HURRICANE ZONES.

DESIGN WIND LOADS SHALL BE DETERMINED AS PER CHAPTER 16 OF THE ABOVE MENTIONED CODE, USING ASCE 7-10 AND SHALL NOT EXCEED THE MAXIMUM (A.S.D.) DESIGN PRESSURE RATINGS INDICATED ON NOTE 2.

IN ORDER TO VERIFY THE ABOVE CONDITION, ULTIMATE DESIGN WIND LOADS DETERMINED PER ASCE 7-10 SHALL BE FIRST REDUCED TO A.S.D. DESIGN WIND LOADS BY MULTIPLYING THEM BY 0.6 IN ORDER TO COMPARE THESE W/ MAX. (A.S.D) DESIGN PRESSURE RATINGS INDICATED ON NOTE 2.

THIS PRODUCTS ADEQUACY FOR WIND, IMPACT AND CYCLIC RESISTANCE HAS BEEN VERIFIED IN ACCORDANCE WITH CHAPTER 16 OF THE ABOVE MENTIONED CODE AS PER PROTOCOLS TAS-201, TAS-202, TAS-203, PER HURRICANE TEST LABORATORY REPORT # C2828.01-450-18 AND AS PER SUBMITTED STRUCTURAL CALCULATIONS, PERFORMED AS PER SECTION 1616 OF THE FLORIDA BUILDING CODE.

2. MAX. A.S.D. DESIGN PRESSURE RATING PANIC EXIT DEVICE (COMPONENT APPROVAL) 18 GA MIN. SINGLE AND DOUBLE DOORS:

POSITIVE	+70
NEGATIVE	-65

NOT RATED FOR WATER RESISTANCE, UNLESS INSTALLED WHERE OVERHANG RATIO (OH) IS EQUAL TO OR MORE THEN 1.00, PER FBC, AS PART OF THE APPROVED DOOR SYSTEM.

3. DETEX DEAD BOLT PANIC HARDWARE SHALL COMPLY WITH SECTIONS 1010.1.2.1, 1010.1.3, 1010.1.9.1, 1010.1.9.2, 1010.1.10 AND 1101 OF THE FLORIDA BUILDING CODE AND ALL OTHER RELEVANT APPLICABLE SECTIONS OF THE CODE.

4. DETEX DEAD BOLT PANIC HARDWARE CAN BE SUPPLIED FOR SINGLE OR DOUBLE STEEL COMMERCIAL DOOR WITH 16 GA. STEEL FRAME AND 18 GA. STEEL DOOR.

5. ALL REINFORCEMENTS TO BE SPOT WELDED OR BETTER BY DOOR MANUFACTURER.

6. ALL DIMENSIONS SHALL BE IN ACCORDANCE WITH MANUFACTURER'S STANDARD INSTALLATION

7. DETEX DEAD BOLT PANIC HARDWARE CAN BE SUPPLIED AS A SINGLE POINT LOCK, H-ECL-230X SERIES OR AS A 3 POINT LOCK, H-ECL-230X-TDB SERIES.

8. DETEX DEAD BOLT PANIC HARDWARE CAN BE SUPPLIED WITH AN ALARM. THE PERFORMANCE OF ELECTRIFIED FEATURE IS NOT PART OF THIS APPROVAL, BUT SHALL BE CERTIFIED BY AN INDEPENDENT TESTING AGENCY.

9. DETEX DEAD BOLT PANIC HARDWARE CAN BE SUPPLIED WITH THE FOLLOWING TRIM DESIGNATIONS: 01T, 03T, 01PP, 03PP AND INSIDE PULL (IP).

10. (a) THIS P.A.D. PREPARED BY THIS ENGINEER IS GENERIC AND DOES NOT PROVIDE INFORMATION FOR A SITE SPECIFIC PROJECT; i.e. WHERE THE SITE CONDITIONS DEVIATE FROM THE P.A.D.

(b) CONTRACTOR TO BE RESPONSIBLE FOR THE SELECTION, PURCHASE AND INSTALLATION INCLUDING LIFE SAFETY OF THIS PRODUCT, BASED ON THIS P.A.D., PROVIDED HE/SHE DOES NOT DEVIATE FROM THE CONDITIONS DETAILED ON THIS DOCUMENT. CONSTRUCTION SAFETY AT SITE IS THE CONTRACTOR'S RESPONSIBILITY.

(c) THIS P.A.D. WILL BE CONSIDERED INVALID IF ALTERED BY ANY MEANS.

(d) SITE SPECIFIC PROJECTS SHALL BE PREPARED BY A FLORIDA REGISTERED ENGINEER OR ARCHITECT WHICH WILL BECOME THE ENGINEER OF RECORD (E.O.R.) FOR THE PROJECT AND WHO WILL BE RESPONSIBLE FOR THE PROPER USE OF THE P.A.D. ENGINEER OF RECORD, ACTING AS DELEGATED ENGINEER TO THE P.A.D. ENGINEER, SHALL SUBMIT TO THIS LATTER THE SITE SPECIFIC DRAWINGS FOR REVIEW.

(e) ORIGINAL P.A.D. SHALL BEAR THE DATE AND ORIGINAL SEAL AND SIGNATURE OF THE PROFESSIONAL ENGINEER OF RECORD THAT PREPARED IT.

11. PANIC DEVICE'S MANUFACTURER LABEL SHALL BE PLACED ON A READILY VISIBLE LOCATION. ONE LABEL SHALL BE PLACED FOR EVERY UNIT. LABEL SHALL READ AS FOLLOWS:

DETEX CORPORATION or **Detex company logo**

NEW BRAUNFELS, TEXAS 78130

H-ECL-230X SERIES

MIAMI-DADE COUNTY PRODUCT CONTROL SYSTEM APPROVED SERIES OR MODEL #.

BILL OF MATERIAL FOR DETEX SERIES H-ECL- 230X (SINGLE POINT LOCK) AND H-ECL-230X-TBD (3 POINT LOCK) DEVICES FOR SINGLE AND DOUBLE DOOR (18 GAUGE) APPLICATION:

ITEM	DESCRIPTION	COMMENTS	QTY PER DOOR	MATERIAL
1	MIAMI-DADE COUNTY APPROVED DOOR & FRAME SEE LIMITATIONS BELOW		1	
2	DETEX DEAD BOLT PANIC HARDWARE, H-ECL-230X SERIES DETEX DEAD BOLT PANIC HARDWARE, H-ECL-230X-TDB SERIES	SINGLE POINT 3 POINT	1	STEEL, 302 S.S., 13 GA. CRS, ALUMINUM
3	MOUNTING PLATE		1	12 GA. (.105) CRS
4	ENDCAP BRACKET		1	12 GA. (.105) CRS
5	ENDCAP		1	ABS PLASTIC (P/N 103641)
6	OUTSIDE TRIM (SEE GENERAL NOTE 9)	OPTIONAL	1	01T - 11 GA. (120) CRS
				03T- 11 GA. (120) CRS
				01PP- 11 GA. (120) CRS
				03PP- 11 GA. (120) CRS
7	INSIDE PULL	OPTIONAL	1	IP - 11 GA. (120) CRS
8	CENTERCASE COVER		1	DIE CAST ALUMINUM
9	STRIKE (SURFACE OR FLUSH) (230X & 230X-TDB)	REVERSIBLE	1	S.S. 302 INVESTMENT, CAST (FY=30 KSI)
10	TOP LATCH ASSEMBLY (TDB ONLY)	TOP BOLT	1	S.S. 400 SERIES INVESTMENT, CAST (FY=80 KSI)
11	TOP STRIKE (TDB ONLY) (P/N 103634)		1	S.S. 302/304 INVESTMENT, CAST (FY=30 KSI)
12	BOTTOM LATCH ASSEMBLY (TDB ONLY)	BOTTOM BOLT	1	S.S. 400 SERIES INVESTMENT, CAST (FY=80 KSI)
13	BOTTOM STRIKE (TDB ONLY)		1	11 GA. (.12) 302/304 S. S.
13A	#10-24 X 1" PFH SCREW		2	STEEL
14	1/4 -20 SOCKET HEAD MACHINE SCREWS		2	
15	1/4 -20 FH SOCKET MACHINE SCREW (STRIKE PLATE)		2	
16	1/4 -20 BUTTON HEAD SOCKET MACHINE SCREW		2	
17a	5/16-18 FLAT HEAD MACHINE SCREW (MULLION TOP END)		6	
17b	3/8 Ø SNAKE ANCHORS BY POWERS FASTENERS INC. W/ 1 1/2" EMBEDMENT, W/ (2) 3/8-16 S.H.C.S. MACHINE SCREW, 3 KSI MIN.		2	ANCHORED TO MIN. 3000 PSI CONCRETE
18	8-32 FHPMS		6 MIN	
19	1/4-20 SEX BOLT		6 MIN	STEEL
20	HINGE	PER DOOR	3 MIN	
21	1 3/8" x 7 5/16" LONG MIN STRIKE REINFORCEMENT		1	12 GA. STEEL
22	1 11/16" x 4 3/4" x 18" LONG MIN DEVICE REINFORCEMENT IN DOOR	PER DOOR	1	14 GA. STEEL
23	1 11/16" x 3 1/2" x 9" LONG MIN SURFACE VERTICAL LATCH REINFORCEMENT	PER DOOR	1	14 GA. STEEL
24	2 1/8" x 18" MIN MULLION REINFORCEMENT / SOFFIT	DOUBLE DOOR	1	12 GA. STEEL
25	DETEX REMOVABLE MULLION, H90R5		1	2"x3"x 5/16" WALL TUBE 7' TALL WITH TOP AND BOTTOM FITTINGS ASTM A500 STEEL, GRADE B, SHAPED STRUCTURAL TUBING W / 46.0 KSI YIELD STRENGTH / 58 KSI TENSILE STRENGTH
26	DADE COUNTY N.O.A. LABEL (GENERAL NOTE 11)		1	
27	1" MIN. THROW PANIC EXIT LATCHBOLT		1	HEAT TREATED STEEL POWDER METAL
28	ROD GUIDE		1 MIN/ROD	.090 CRS
28A	#10 x 1" PFH SELF DRILLING		2 MIN	STEEL, ZINC PLATED

LIMITATIONS:

- This panic device is a component approved to be equal alternative hardware to be used in single or double steel commercial doors made with 16 ga. steel frame and 18 ga. (.045" min.) (Fy min = 42.5 KSI) 1-3/4" thick (min) steel door, holding current N.O.A. The lowest design pressure rating of the doors or the component shall govern.
- The doors shall meet following specifications:
 - Door slab must not be wider than 48" and higher than 83.5". the door shall be 1-3/4" min. overall thickness, honeycomb core or foam core complying with FBC requirements may be used.
 - 8 ga. steel hinge plate reinforcement at hinge stile and at the frame.
 - Min. 12 ga. steel reinforcement at strike plate.
- Electrical installation and fire rating are NOT part of this approval and such installation must be reviewed by applicable building authority.



302 DETEX DR.
NEW BRAUNFELS, TX 78130

PH: (830) 629-2900
FX: (800) 729-3839

TITLE: DETEX CORPORATION
ECL-230X RIM EXIT LOCK

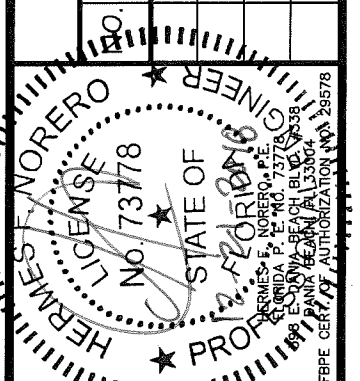
PREPARED BY:
BUILDING DROPS, INC.
398 E. DANIA BEACH BLVD. #338
DANIA BEACH, FL 33004
PH: (954) 399-8478 FX: (954) 744-4738

REVISIONS

DESCRIPTION

BY

DATE



DATE: 06.09.16
DWN BY: LMS
CHK BY: HFN
SCALE: NTS

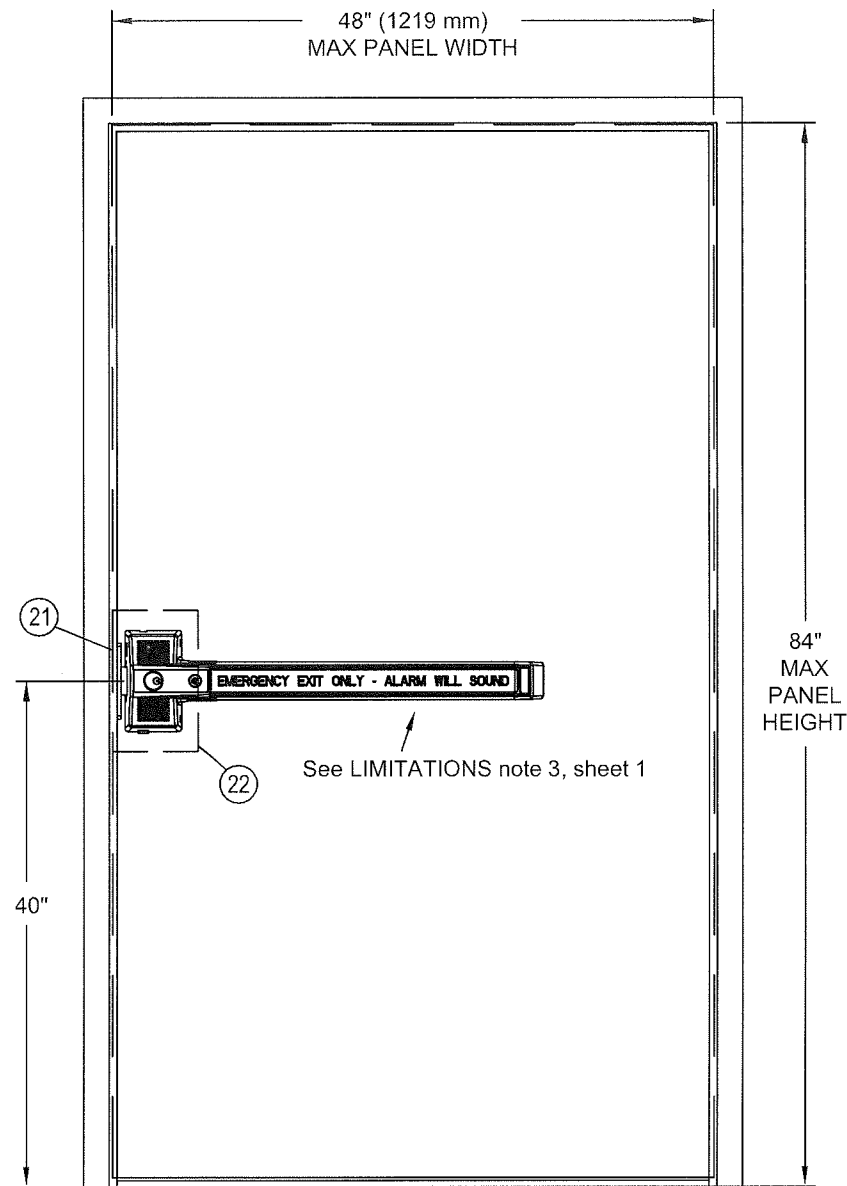
DWG #: **DTX005**
SHEET: **1 OF 6**

DETEX SERIES H-ECL-230X (SINGLE POINT) OR H-ECL-230X-TDB (3 POINT) FOR 18 GAUGE DOOR

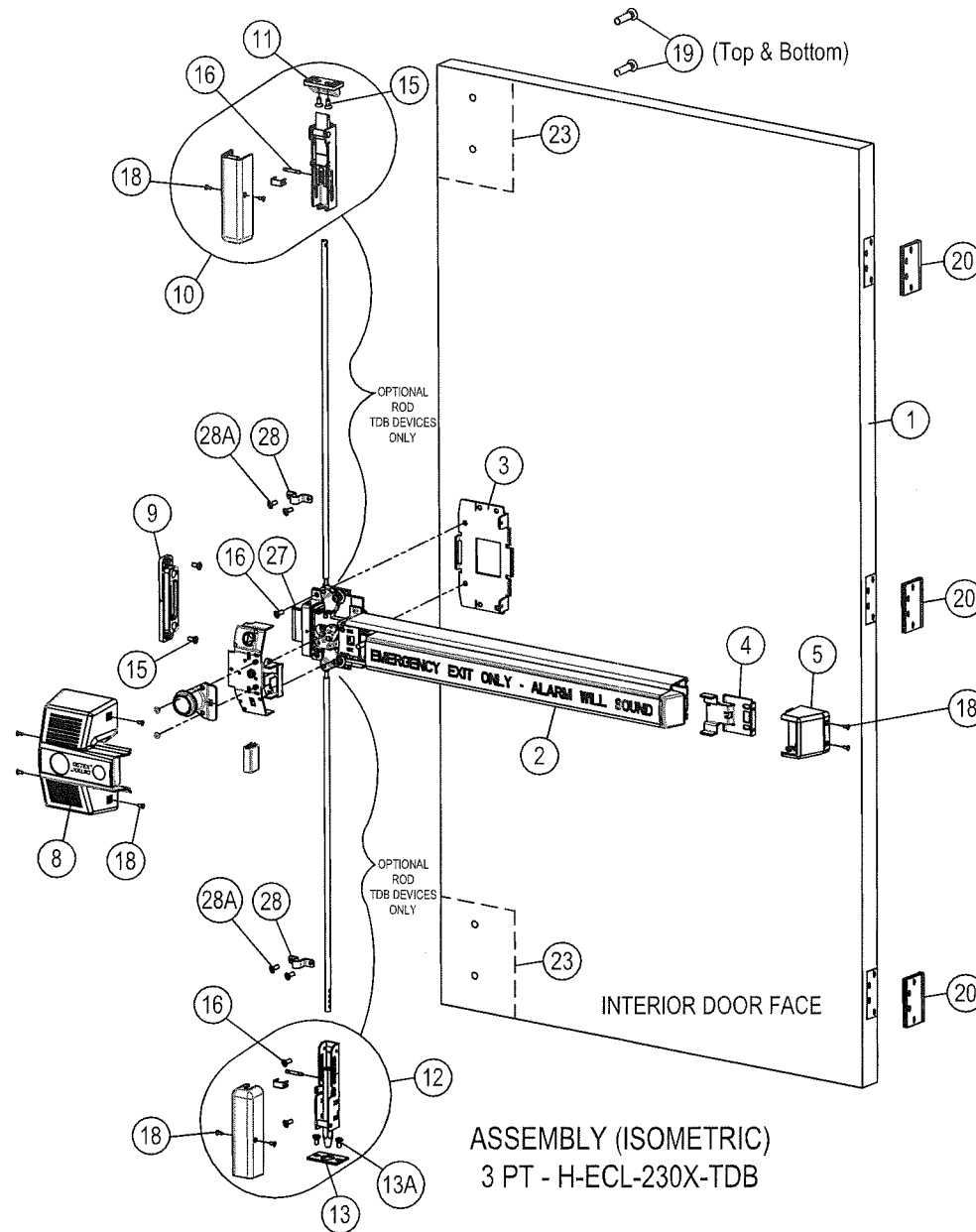


302 DETEX DR.
NEW BRAUNFELS, TX 78130

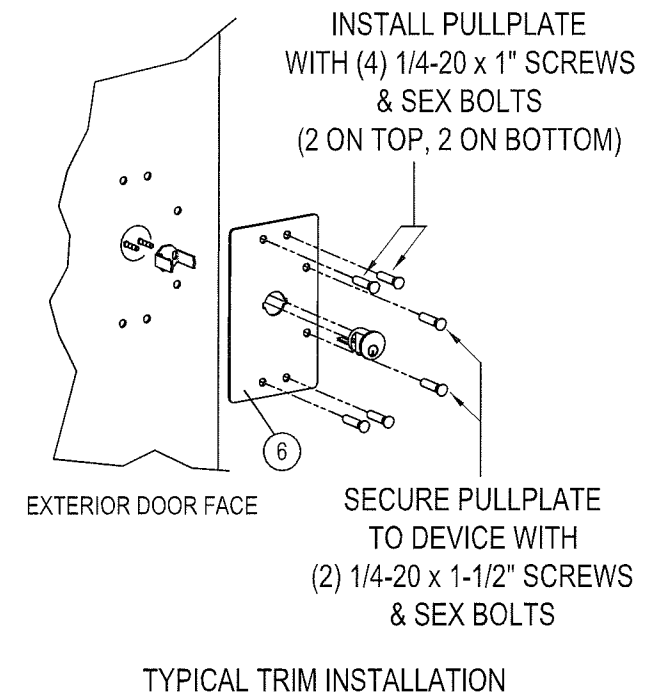
PH: (830) 629-2900
FX: (800) 729-3839



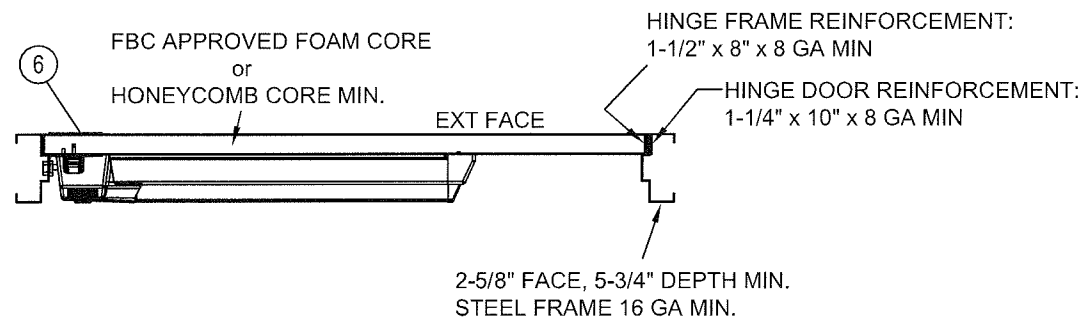
SINGLE DOOR, SINGLE POINT
RIM (H-ECL-230X) SHOWN
3 POINT (H-ECL-230X-TDB) OPTIONAL
INTERIOR DOOR FACE



ASSEMBLY (ISOMETRIC)
3 PT - H-ECL-230X-TDB



TYPICAL TRIM INSTALLATION



MAX A.S.D. DESIGN PRESSURE RATING
PANIC EXIT DEVICE
(COMPONENT APPROVAL)
SINGLE DOOR (MIN 18 GA)

POSITIVE	+ 70 PSF
NEGATIVE	- 65 PSF

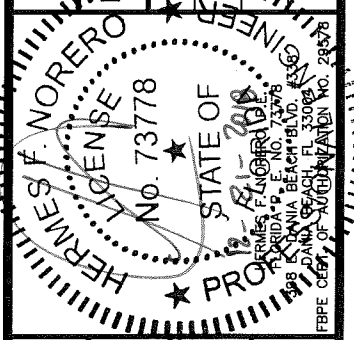
NOT RATED FOR WATER RESISTANCE, UNLESS INSTALLED WHERE OVERHANG RATIO (OH) IS EQUAL TO OR MORE THAN 1.00, PER FBC, AS PART OF THE APPROVED DOOR SYSTEM.

PRODUCT REVISED
in compliance with the Florida
Building Code
Acceptance No. 18-1017-06
Expiration Date 11/23/23
Ismael L. Hernandez
Product Control

TITLE: DETEX CORPORATION
ECL-230X RIM EXIT LOCK

PREPARED BY:
BUILDING DROPS, INC.
398 E. DANIA BEACH BLVD. #338
DANIA BEACH, FL 33004
PH: (954) 399-8478 FX: (954) 744-4738

REVISIONS	DESCRIPTION	BY	DATE



DATE:	06.09.16	DWN BY:	LMS	CHK BY:	HFN	SCALE:	NTS
-------	----------	---------	-----	---------	-----	--------	-----

DWG #:
DTX005
SHEET: 2 OF 6

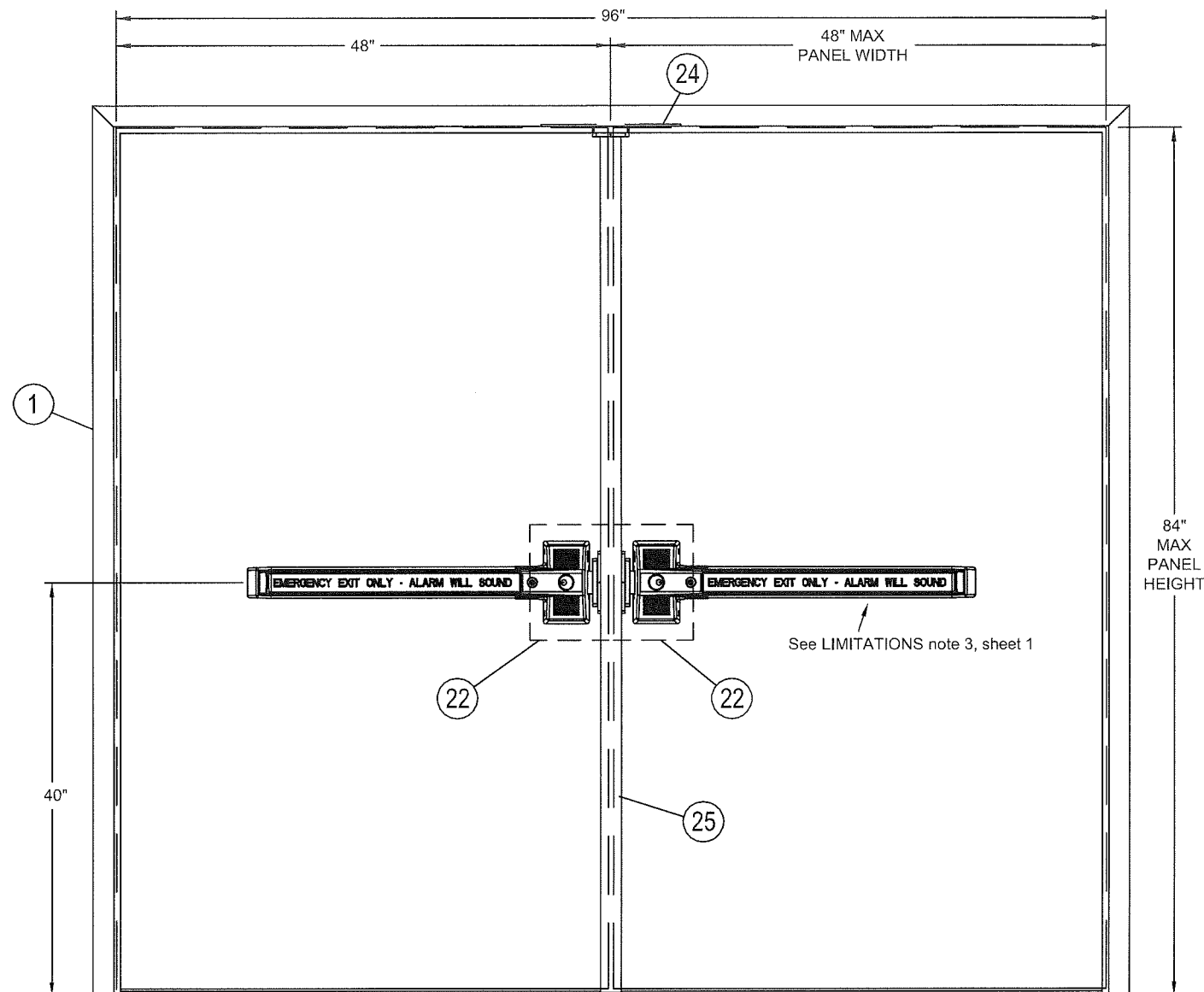
DETEX

302 DETEX DR.
NEW BRAUNFELS, TX 78130

PH: (830) 629-2900
FX: (800) 729-3839

TITLE: DETEX CORPORATION
ECL-230X RIM EXIT LOCK

PREPARED BY:
BUILDING DROPS, INC.
398 E. DANIA BEACH BLVD. #338
DANIA BEACH, FL 33004
PH: (954) 399-8478 FX: (954) 744-4738



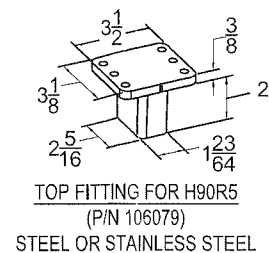
INTERIOR DOOR FACE

DOUBLE DOOR w/DETEX REMOVABLE MULLION
SINGLE POINT (H-ECL-230X) SHOWN
3 POINT (H-ECL-230X-TDB) OPTIONAL (W/ VERTICAL ROD)

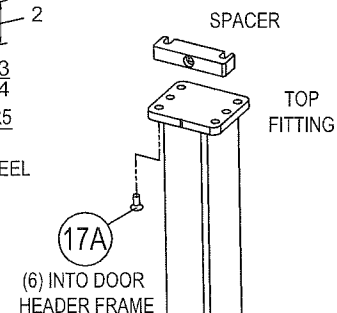
MAX A.S.D. DESIGN PRESSURE RATING
PANIC EXIT DEVICE
(COMPONENT APPROVAL)
DOUBLE DOOR (18 GA MIN) AND
DETEX REMOVABLE MULLION

POSITIVE	+ 70 PSF
NEGATIVE	- 65 PSF

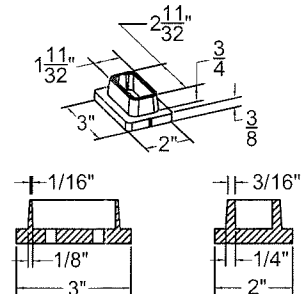
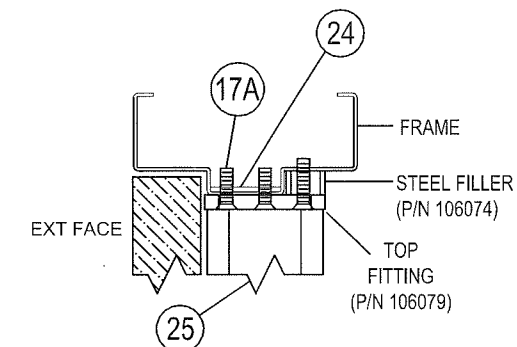
NOT RATED FOR WATER RESISTANCE, UNLESS INSTALLED
WHERE OVERHANG RATIO (OH) IS EQUAL TO OR MORE THAN
1.00, PER FBC, AS PART OF THE APPROVED DOOR SYSTEM.



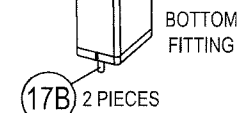
TOP FITTING FOR H90R5
(P/N 106079)
STEEL OR STAINLESS STEEL



(6) INTO DOOR
HEADER FRAME

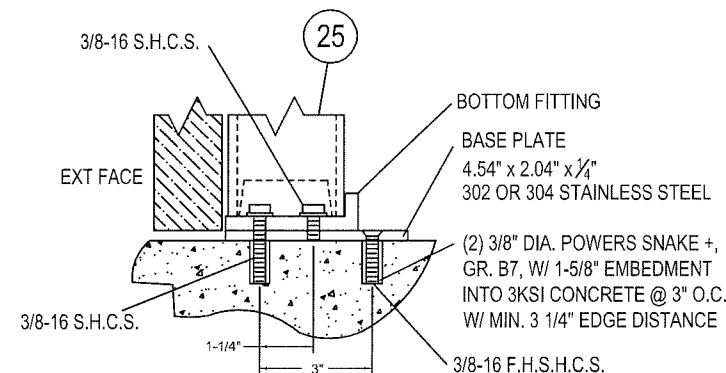


BOTTOM FITTING FOR H90R5
(P/N 106078)
STEEL OR STAINLESS STEEL



W/ 1-1/2" EMBEDMENT
INTO 3KSI CONCRETE,
@ 3.00" O.C. W/ 4.5" E.D., W/ (2) 3/8"-16 S.H.C.S.
MACHINE SCREWS

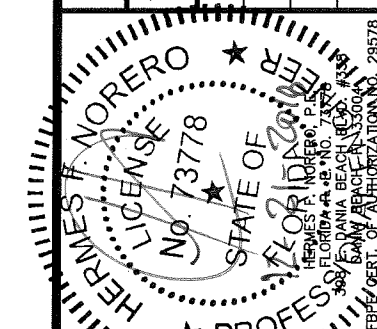
25
15
9
BOTH SIDES
SURFACE
MOUNT SHOWN



DETEX H90R5 (REMOVABLE MULLION)

REVISIONS

NO.	DESCRIPTION	BY	DATE



PRODUCT REVISIONS
in compliance with the Florida
Building Code
Acceptance No. 18-1017-06
Expiration Date 11/28/23
Ichang I. Chandra
Product Control

DATE:	06.09.18
DWN BY:	LM
CHK BY:	HFN
SCALE:	NTS

DWG #:
DTX005
SHEET: **3 OF 6**

GENERAL NOTES FOR DETEX SERIES H-ECL-230X-TBD (3 POINT LOCK) DEVICES FOR SINGLE AND DOUBLE DOOR (16 GAUGE) APPLICATION:

1. DETEX DEAD BOLT PANIC HARDWARE SHOWN ON THIS PRODUCT APPROVAL DOCUMENT (PAD) HAS BEEN VERIFIED FOR COMPLIANCE IN ACCORDANCE WITH THE 6TH EDITION OF THE FLORIDA BUILDING CODE. DETEX DEAD BOLT PANIC HARDWARE MAY BE INSTALLED WITHIN HIGH VELOCITY HURRICANE ZONES.

DESIGN WIND LOADS SHALL BE DETERMINED AS PER CHAPTER 16 OF THE ABOVE MENTIONED CODE, USING ASCE 7-10 AND SHALL NOT EXCEED THE MAXIMUM (ASD) DESIGN PRESSURE RATINGS INDICATED ON NOTE 2.

IN ORDER TO VERIFY THE ABOVE CONDITION, ULTIMATE DESIGN WIND LOADS DETERMINED PER ASCE 7-10 SHALL BE FIRST REDUCED TO A.S.D. DESIGN WIND LOADS BY MULTIPLYING THEM BY 0.6 IN ORDER TO COMPARE THESE W/ MAX. (A.S.D) DESIGN PRESSURE RATINGS INDICATED ON NOTE 2.

THIS PRODUCTS ADEQUACY FOR WIND, IMPACT AND CYCLIC RESISTANCE HAS BEEN VERIFIED IN ACCORDANCE WITH CHAPTER 16 OF THE ABOVE MENTIONED CODE AS PER PROTOCOLS TAS-201, TAS-202, TAS-203, PER HURRICANE TEST LABORATORY REPORT # C3375.01-450-18 AND AS PER SUBMITTED STRUCTURAL CALCULATIONS, PERFORMED AS PER SECTION 1616 OF THE FLORIDA BUILDING CODE.

2. MAX. A.S.D. DESIGN PRESSURE RATING 3 PT PANIC EXIT DEVICE (COMPONENT APPROVAL) 16 GA MIN. SINGLE AND DOUBLE DOORS:

POSITIVE	+80
NEGATIVE	-80

NOT RATED FOR WATER RESISTANCE, UNLESS INSTALLED WHERE OVERHANG RATIO (OH) IS EQUAL TO OR MORE THEN 1.00, PER FBC, AS PART OF THE APPROVED DOOR SYSTEM.

3. DETEX DEAD BOLT PANIC HARDWARE SHALL COMPLY WITH SECTIONS 1010.1.2.1, 1010.1.3, 1010.1.9.1, 1010.1.9.2, 1010.1.10 AND 1101 OF THE FLORIDA BUILDING CODE AND ALL OTHER RELEVANT APPLICABLE SECTIONS OF THE CODE.

4. DETEX DEAD BOLT PANIC HARDWARE CAN BE SUPPLIED FOR SINGLE OR DOUBLE STEEL COMMERCIAL DOOR WITH 16 GA. STEEL FRAME AND 16 GA. STEEL DOOR.

5. ALL REINFORCEMENTS TO BE SPOT WELDED OR BETTER BY DOOR MANUFACTURER.

6. ALL DIMENSIONS SHALL BE IN ACCORDANCE WITH MANUFACTURER'S STANDARD INSTALLATION

7. DETEX DEAD BOLT PANIC HARDWARE CAN BE SUPPLIED AS A 3 POINT LOCK, H-ECL-230X-TDB SERIES.

8. DETEX DEAD BOLT PANIC HARDWARE CAN BE SUPPLIED WITH AN ALARM. THE PERFORMANCE OF ELECTRIFIED FEATURE IS NOT PART OF THIS APPROVAL, BUT SHALL BE CERTIFIED BY AN INDEPENDENT TESTING AGENCY.

9. DETEX DEAD BOLT PANIC HARDWARE CAN BE SUPPLIED WITH THE FOLLOWING TRIM DESIGNATIONS: 01T, 03T, 01PP, 03PP AND INSIDE PULL (IP).

10. (a) THIS P.A.D. PREPARED BY THIS ENGINEER IS GENERIC AND DOES NOT PROVIDE INFORMATION FOR A SITE SPECIFIC PROJECT; i.e. WHERE THE SITE CONDITIONS DEVIATE FROM THE P.A.D.

(b) CONTRACTOR TO BE RESPONSIBLE FOR THE SELECTION, PURCHASE AND INSTALLATION INCLUDING LIFE SAFETY OF THIS PRODUCT, BASED ON THIS P.A.D., PROVIDED HE/SHE DOES NOT DEVIATE FROM THE CONDITIONS DETAILED ON THIS DOCUMENT. CONSTRUCTION SAFETY AT SITE IS THE CONTRACTOR'S RESPONSIBILITY.

(c) THIS P.A.D. WILL BE CONSIDERED INVALID IF ALTERED BY ANY MEANS.

(d) SITE SPECIFIC PROJECTS SHALL BE PREPARED BY A FLORIDA REGISTERED ENGINEER OR ARCHITECT WHICH WILL BECOME THE ENGINEER OF RECORD (E.O.R.) FOR THE PROJECT AND WHO WILL BE RESPONSIBLE FOR THE PROPER USE OF THE P.A.D. ENGINEER OF RECORD, ACTING AS DELEGATED ENGINEER TO THE P.A.D. ENGINEER, SHALL SUBMIT TO THIS LATTER THE SITE SPECIFIC DRAWINGS FOR REVIEW.

(e) ORIGINAL P.A.D. SHALL BEAR THE DATE AND ORIGINAL SEAL AND SIGNATURE OF THE PROFESSIONAL ENGINEER OF RECORD THAT PREPARED IT.

11. PANIC DEVICE'S MANUFACTURER LABEL SHALL BE PLACED ON A READILY VISIBLE LOCATION. ONE LABEL SHALL BE PLACED FOR EVERY UNIT. LABEL SHALL READ AS FOLLOWS:

DETEX CORPORATION or *Detex company logo*

NEW BRAUNFELS, TEXAS 78130

H-ECL-230X SERIES

MIAMI-DADE COUNTY PRODUCT CONTROL SYSTEM APPROVED SERIES OR MODEL #.

BILL OF MATERIAL FOR DETEX SERIES H-ECL-230X-TBD (3 POINT LOCK) DEVICES FOR SINGLE AND DOUBLE DOOR (16 GAUGE) APPLICATION:

ITEM	DESCRIPTION	COMMENTS	QTY PER DOOR	MATERIAL
1	MIAMI-DADE COUNTY APPROVED DOOR & FRAME SEE LIMITATIONS BELOW		1	
2	DETEX DEAD BOLT PANIC HARDWARE, H-ECL-230X-TDB SERIES	3 POINT	1	STEEL, 302 S.S., 13 GA. CRS, ALUMINUM
3	MOUNTING PLATE		1	12 GA. (.105) CRS
4	ENDCAP BRACKET		1	12 GA. (.105) CRS
5	ENDCAP		1	ABS PLASTIC (P/N 103641)
6	OUTSIDE TRIM (SEE GENERAL NOTE 9)	OPTIONAL	1	01T - 11 GA. (120) CRS
				03T - 11 GA. (120) CRS
				01PP - 11 GA. (120) CRS
				03PP - 11 GA. (120) CRS
7	INSIDE PULL	OPTIONAL	1	IP - 11 GA. (120) CRS
8	CENTERCASE COVER		1	DIE CAST ALUMINUM
9	STRIKE (SURFACE OR FLUSH) (230X & 230X-TDB)	REVERSIBLE	1	S.S. 302 INVESTMENT, CAST (FY=30 KSI)
10	TOP LATCH ASSEMBLY (TDB ONLY)	TOP BOLT	1	S.S. 400 SERIES INVESTMENT, CAST (FY=80 KSI)
11	TOP STRIKE (TDB ONLY) (P/N 103634)		1	S.S. 302 INVESTMENT, CAST (FY=30 KSI)
12	BOTTOM LATCH ASSEMBLY (TDB ONLY)	BOTTOM BOLT	1	S.S. 400 SERIES INVESTMENT, CAST (FY=80 KSI)
13	BOTTOM STRIKE (TDB ONLY)		1	11 GA. (.12) 302/304 S. S.
13A	#10-24 X 1" PFH SCREW		2	STEEL
14	1/4 -20 SOCKET HEAD MACHINE SCREWS		2	
15	1/4 -20 FH SOCKET MACHINE SCREW (STRIKE PLATE)		2	
16	1/4 -20 BUTTON HEAD SOCKET MACHINE SCREW		2	
17a	5/16-18 FLAT HEAD MACHINE SCREW (MULLION TOP END)		6	
17b	3/8 Ø SNAKE ANCHORS BY POWERS FASTENERS INC. W/ 1 1/2" EMBEDMENT, W/ (2) 3/8-16 S.H.C.S. MACHINE SCREW 3 KSI MIN.		2	ANCHORED TO MIN. 3000 PSI CONCRETE
18	8-32 FHPMS		6 MIN	
19	1/4-20 SEX BOLT		6 MIN	STEEL
20	HINGE	PER DOOR	3 MIN	
21	1 3/8" x 7 5/16" LONG MIN STRIKE REINFORCEMENT		1	12 GA. STEEL
22	1 11/16" x 4 3/4" x 18" LONG MIN DEVICE REINFORCEMENT IN DOOR	PER DOOR	1	14 GA. STEEL
23	1 11/16" x 3 1/2" x 9" LONG MIN SURFACE VERTICAL LATCH REINFORCEMENT	PER DOOR	1	14 GA. STEEL
24	2 1/8" x 36" MIN MULLION REINFORCEMENT / SOFFIT	DOUBLE DOOR	1	12 GA. STEEL
25	DETEX REMOVABLE MULLION, H90R5		1	2"x3"x 5/16" WALL TUBE 7' TALL WITH TOP AND BOTTOM FITTINGS, ASTM A500 STEEL, GRADE B, SHAPED STRUCTURAL TUBING W / 46.0 KSI YIELD STRENGTH / 58 KSI TENSILE STRENGTH
26	DADE COUNTY N.O.A. LABEL (GENERAL NOTE 11)		1	
27	1" MIN. THROW LATCHBOLT		1	HEAT TREATED STEEL POWDER METAL
28	ROD GUIDE		1 MIN/ROD	.090 CRS
28A	#10 x 1" PFH SELF DRILLING		2 MIN	STEEL, ZINC PLATED

LIMITATIONS:

- This panic device is a component approved to be equal alternative hardware to be used in single or double steel commercial doors made with 16 ga. steel frame and 16 ga. (.053" min.) (Fy min = 47.7 ksi) 1-3/4" thick (min) steel door, holding current N.O.A. The lowest design pressure rating of the doors or the component shall govern.
- The doors shall meet following specifications:
 - Door slab must not be wider than 48" and higher than 83.5". the door shall be 1 3/4" min. overall thickness, honeycomb core or foam core complying with FBC requirements may be used.
 - 8 ga. steel hinge plate reinforcement at hinge stile and at the frame.
 - Min. 12 ga. steel reinforcement at strike plate.
- Electrical installation and fire rating are NOT part of this approval and such installation must be reviewed by applicable building authority.



302 DETEX DR.
NEW BRAUNFELS, TX 78130

PH: (830) 629-2900
FX: (800) 729-3839

TITLE: DETEX CORPORATION
ECL-230X RIM EXIT LOCK

PREPARED BY:
BUILDING DROPS, INC.
398 E. DANIA BEACH BLVD. #338
DANIA BEACH, FL 33004
PH: (954) 399-8478 FX: (954) 744-4738

REVISIONS

DESCRIPTION

BY

DATE



DATE: 06.09.16
DWN BY: LMS
CHK BY: HFN
SCALE: NTS

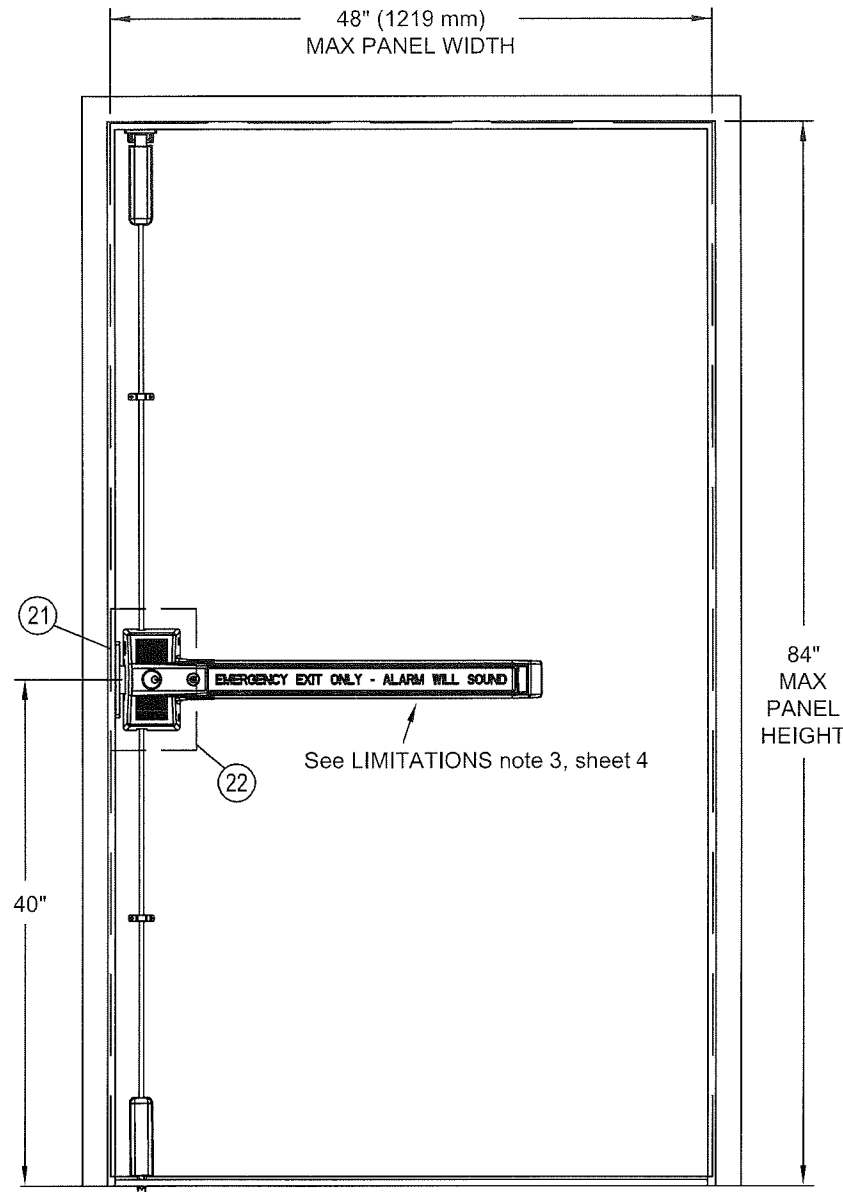
DWG #: **DTX005**
SHEET: **4 OF 6**

DETEX SERIES H-ECL-230X-TDB (3 POINT) FOR 16 GAUGE DOOR

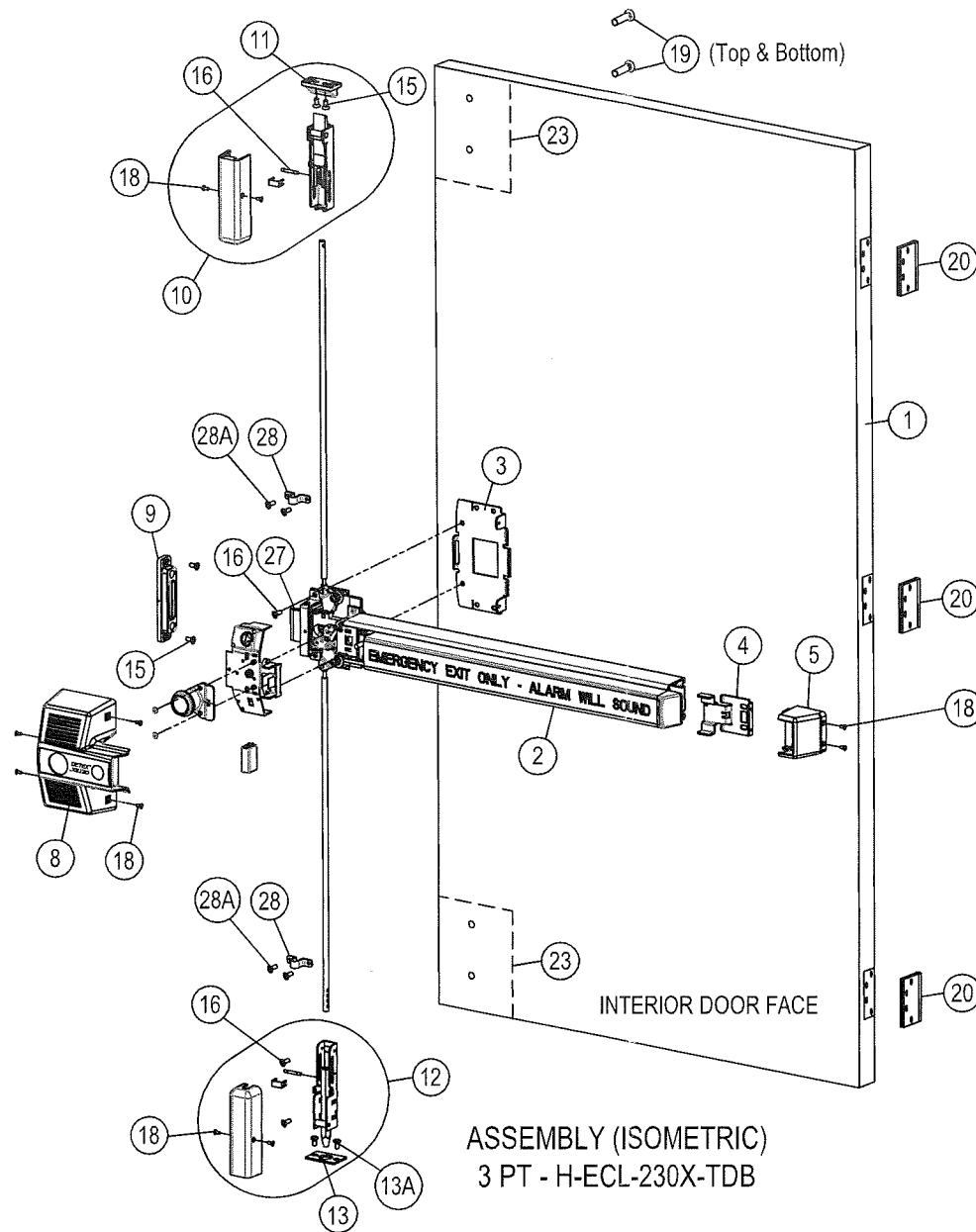


302 DETEX DR.
NEW BRAUNFELS, TX 78130

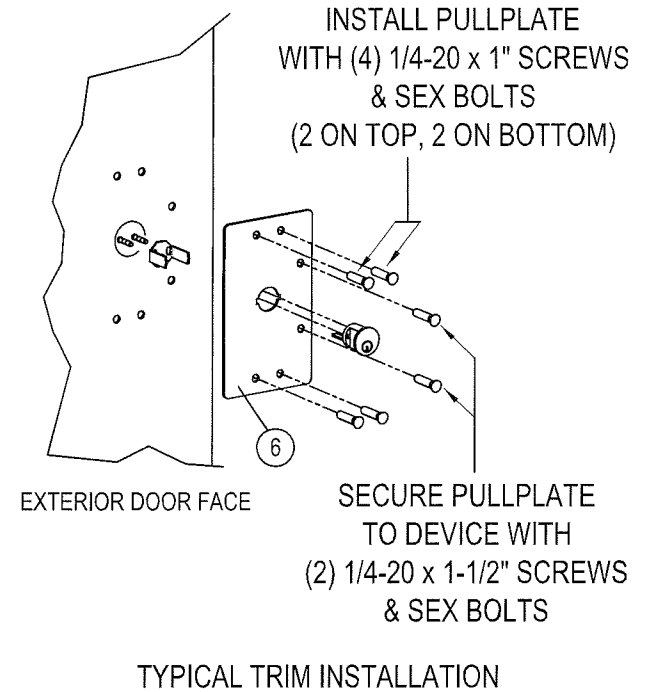
PH: (830) 629-2900
FX: (800) 729-3839



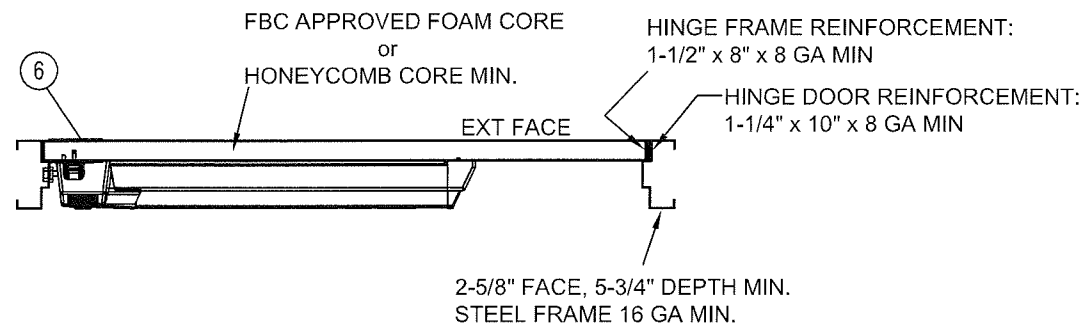
SINGLE DOOR, 3 POINT
(H-ECL-230X-TDB) SHOWN
INTERIOR DOOR FACE



ASSEMBLY (ISOMETRIC)
3 PT - H-ECL-230X-TDB



TYPICAL TRIM INSTALLATION



MAX A.S.D. DESIGN
PRESSURE RATING
3 PT PANIC EXIT DEVICE
(COMPONENT APPROVAL)
SINGLE DOOR (MIN 16 GA)

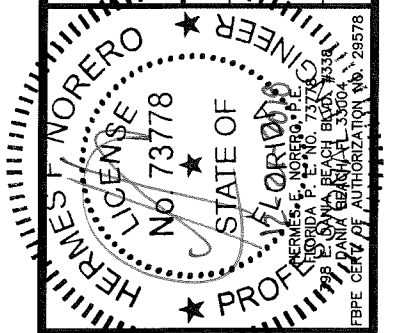
POSITIVE	+ 80 PSF
NEGATIVE	- 80 PSF

NOT RATED FOR WATER RESISTANCE, UNLESS INSTALLED WHERE OVERHANG RATIO (OH) IS EQUAL TO OR MORE THAN 1.00, PER FBC, AS PART OF THE APPROVED DOOR SYSTEM.

TITLE: DETEX CORPORATION
ECL-230X RIM EXIT LOCK

PREPARED BY:
BUILDING DROPS, INC.
398 E. DANIA BEACH BLVD. #338
DANIA BEACH, FL 33004
PH: (954) 399-8478 FX: (954) 744-4738

NO.	REVISIONS	DESCRIPTION	BY	DATE



PRODUCT REVIEWED
as complying with the Florida
Building Code
Acceptance No. 18-1017-06
Expiration Date 11/23/23
By: [Signature]
Building Code Product Control

DATE:	06.09.16	DWN BY:	LMS	CHK BY:	HFN	SCALE:	NTS
DWG #:	DTX005						
SHEET:	5 OF 6						

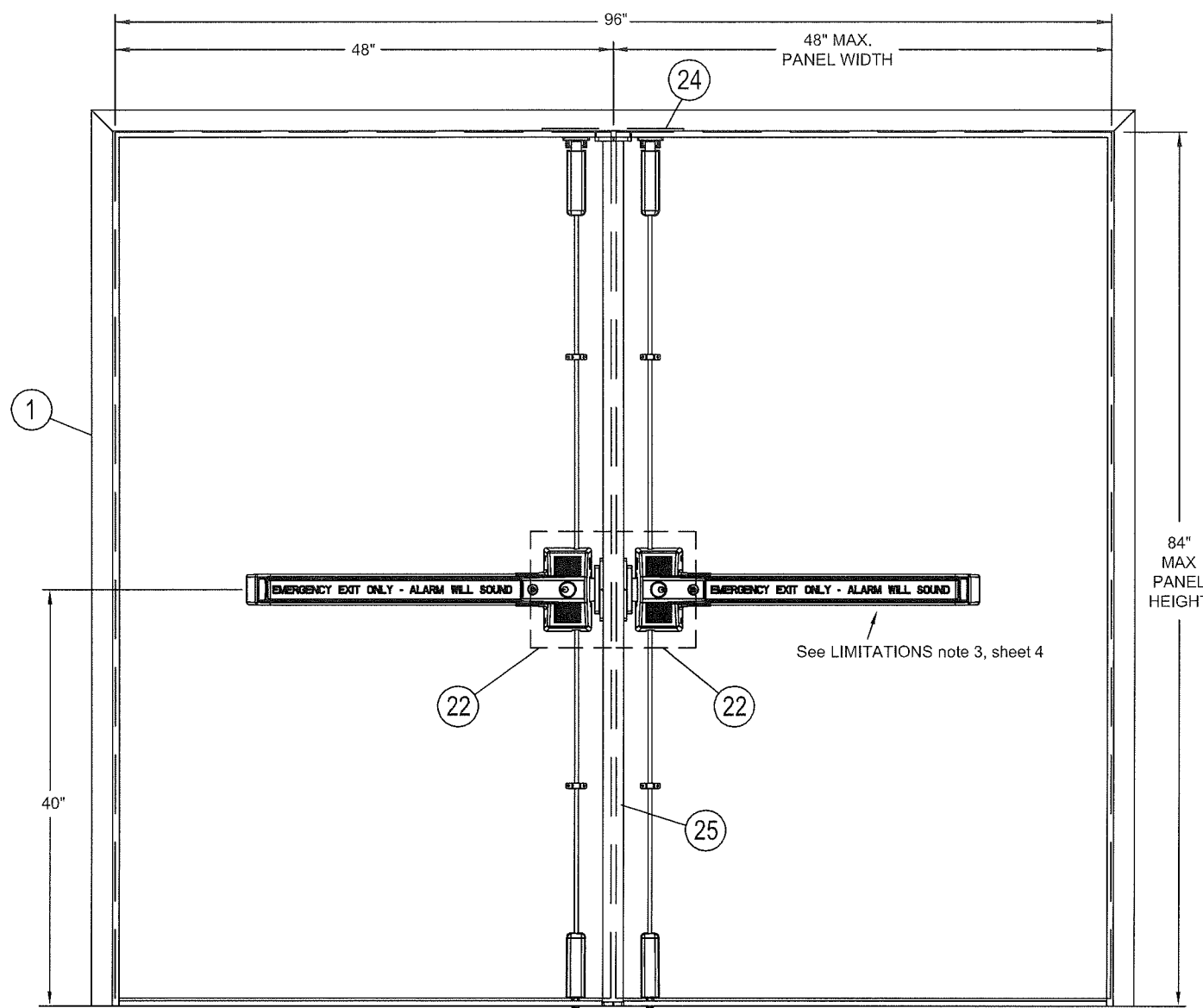


302 DETEX DR.
NEW BRAUNFELS, TX 78130

PH: (830) 629-2900
FX: (800) 729-3839

TITLE: DETEX CORPORATION
ECL-230X RIM EXIT LOCK

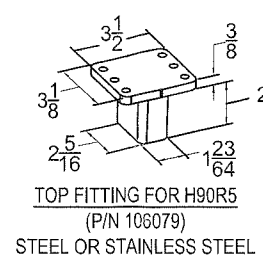
PREPARED BY:
BUILDING DROPS, INC.
398 E. DANIA BEACH BLVD. #338
DANIA BEACH, FL 33004
PH: (954) 399-8478 FX: (954) 744-4738



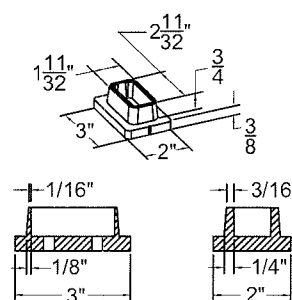
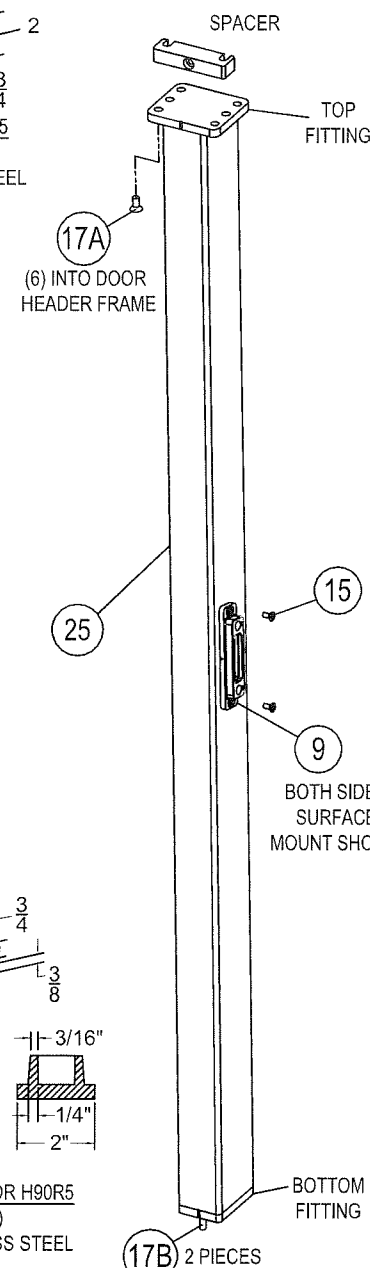
INTERIOR DOOR FACE
DOUBLE DOOR w/DETEX REMOVABLE MULLION
3 POINT (H-ECL-230X-TDB)
MAX A.S.D. DESIGN PRESSURE RATING
3 PT PANIC EXIT DEVICE
(COMPONENT APPROVAL)
DOUBLE DOOR (MIN. 16 GA) AND
DETEX REMOVABLE MULLION

POSITIVE	+ 80 PSF
NEGATIVE	- 80 PSF

NOT RATED FOR WATER RESISTANCE, UNLESS INSTALLED WHERE OVERHANG RATIO (OH) IS EQUAL TO OR MORE THAN 1.00, PER FBC, AS PART OF THE APPROVED DOOR SYSTEM.

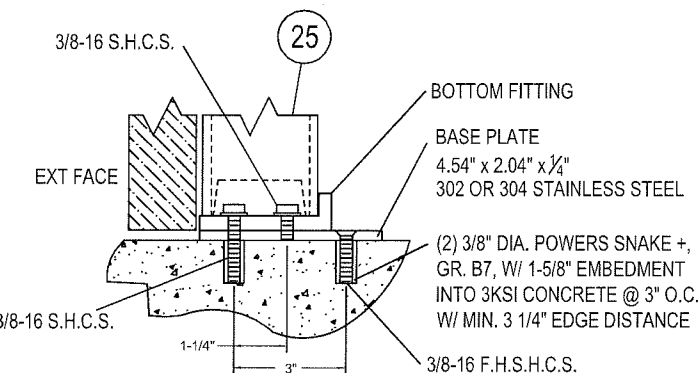
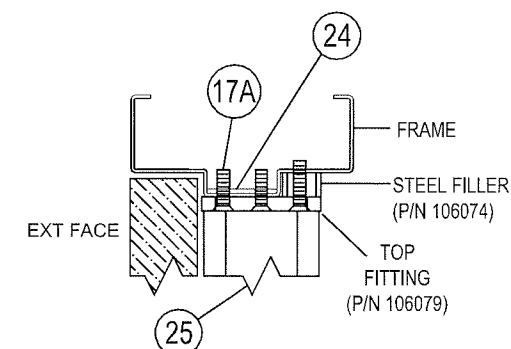


TOP FITTING FOR H90R5
(P/N 106079)
STEEL OR STAINLESS STEEL



BOTTOM FITTING FOR H90R5
(P/N 106078)
STEEL OR STAINLESS STEEL

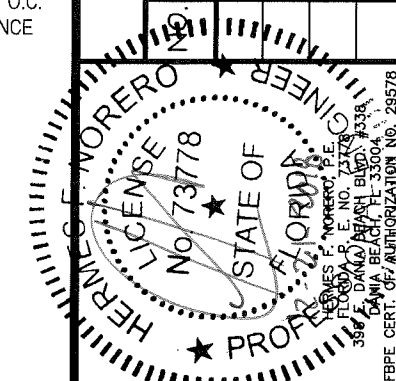
W/ 1-1/2" EMBEDMENT INTO 3KSI CONCRETE,
@ 3.00" O.C. W/ 4.5" E.D., W/ (2) 3/8"-16 S.H.C.S.
MACHINE SCREWS



DETEX H90R5 (REMOVABLE MULLION)

REVISIONS

DESCRIPTION	BY	DATE



PRODUCT REVISED
as complying with the Florida
Building Code
Acceptance No. 18-1017-06
Expiration Date 11/28/23
E. Ishay / I. Chandra
Mfg. and Product Control

DATE:	06.09.16	DWN BY:	LMS	CHK BY:	HFN	SCALE:	NTS
-------	----------	---------	-----	---------	-----	--------	-----

DWG #:
DTX005
SHEET: 6 OF 6