



Detex Corporation, 302 Detex Drive, New Braunfels, Texas 78130-3045  
 830-629-2900 / 800-729-3839 / Fax 800-653-3839 / Text photos only: 830-481-6433 / INTERNET: www.detex.com

INSTALLATION INSTRUCTIONS FOR 03C(N), 02C(N), 01C(N) PULLPLATE TRIM

DWG #: 102236 - 03C(N)  
 102237 - 02C(N)  
 102238 - 01C(N)

Table of Contents	Page
Device parts breakdown view & part numbers.....	2
Trim Prep, Door Prep - Interior Door Face.....	3
Door Prep - Interior Door Face (cont'd).....	4
Door Prep - Exterior Door Face	
Assemble & Install Trim & Backplate.....	5

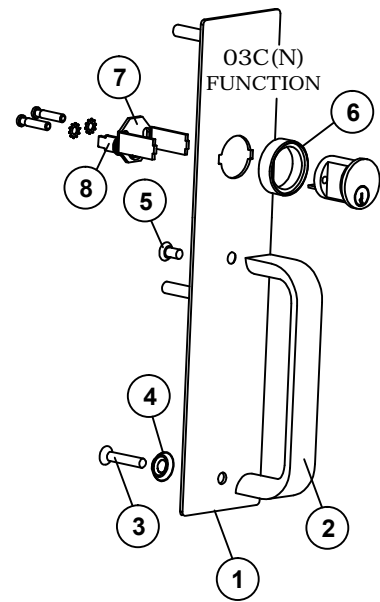
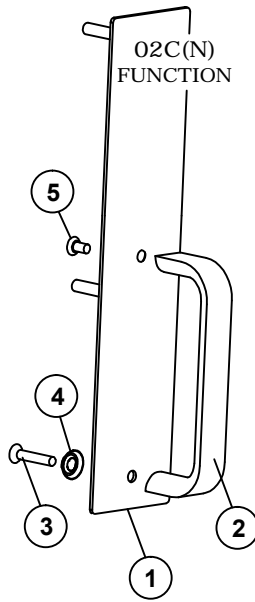
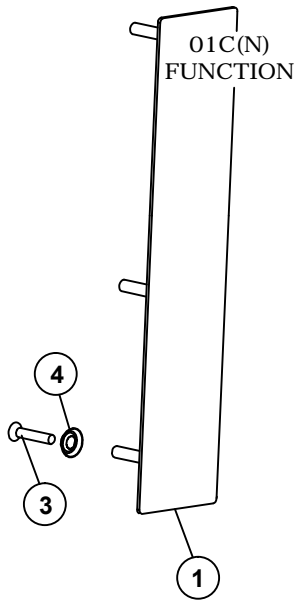
For WARRANTY information,  
 scan code below or  
 go to [www.detex.com/warranty](http://www.detex.com/warranty)



For device installation videos,  
 scan code below or  
 go to [www.detex.com/videos](http://www.detex.com/videos)



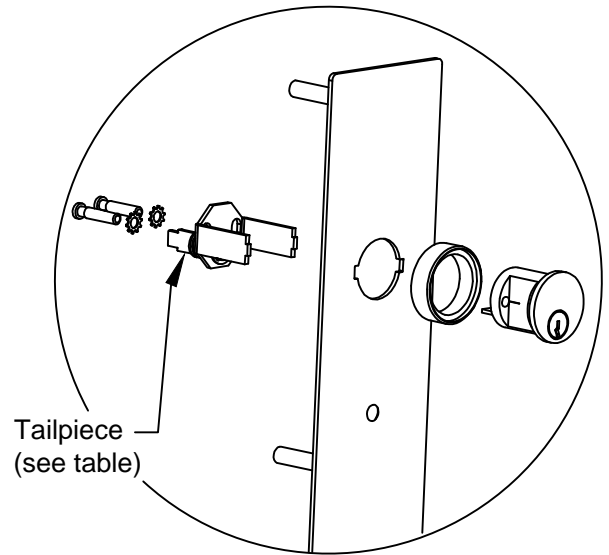
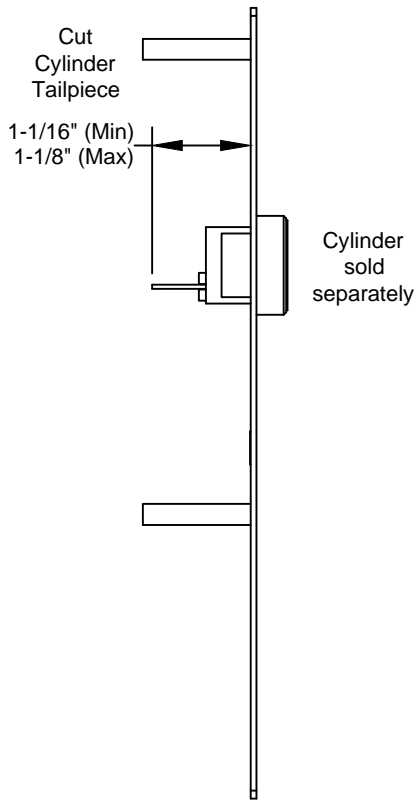
Owner's Copy



Cylinder with hardware sold separately

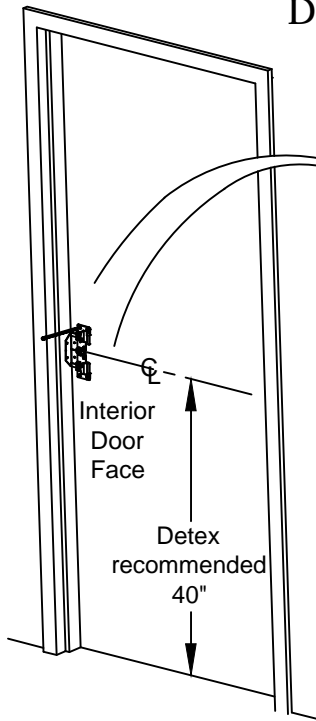
ITEM	PART NO.	QTY	DESCRIPTION
1	102219-9	1	TRIM PULLPLATE, 01C (WIDE BP-1 OR BP-11)
	102228-9		TRIM PULLPLATE, 01CN (NARROW BP-2)
	105633-9		TRIM PULLPLATE, 01CNV (NARROW CVR BP-10)
	102218-9		TRIM PULLPLATE, 02C (WIDE BP-1 OR BP-11)
	102227-9		TRIM PULLPLATE, 02CN (NARROW BP-2)
	105632-9		TRIM PULLPLATE, 02CNV (NARROW CVR BP-10)
	102217-9		TRIM PULLPLATE, 03C (WIDE BP-7 OR BP-13)
	102226-9		TRIM PULLPLATE, 03CN (NARROW BP-8)
	105631-9		TRIM PULLPLATE, 03CNV (NARROW CVR BP-12)
	2		102235-9
3	102271-136	1	1/4-20 X 2-1/4" SCREW, S/S, PFH (02, 03 w 1-3/4" TO 2" DOOR)
	102271-144		1/4-20 X 2-3/4" SCREW, S/S, PFH (02, 03 w 2-1/4" DOOR)
	102271-116		1/4-20 X 1" SCREW, S/S, PFH, (01 ALL)
4	102272-2	1	1/4" FINISH WASHER, S/S (01, 02, 03)
5	102264-1	1	SCREW, 1/4-20 X 1/2", UNDERCUT, PFH (02, 03)
6	100752-9	1	CYLINDER COLLAR, TALL (03)
	105227-7		TAPERED CYLINDER COLLAR, CVR (03)
7	101454-1	1	TAILPIECE ASSY (03)
	105238-3		TAILPIECE ASSEMBLY (03 CVR)
8	101480-1	1	TAILPIECE, 03
	105239-1		TAILPIECE, 2.25 THK DOOR (03, CVR)

## Trim Preparation 03 function only

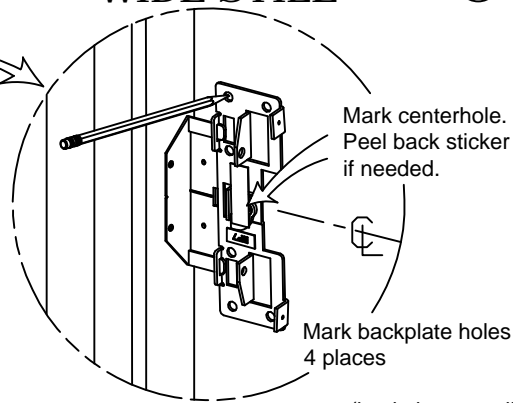


Tailpiece Used	Door Thickness
	1-3/4" and 2" Thick Doors
	2-1/4" Thick Doors

## Door Preparation - Interior Door Face

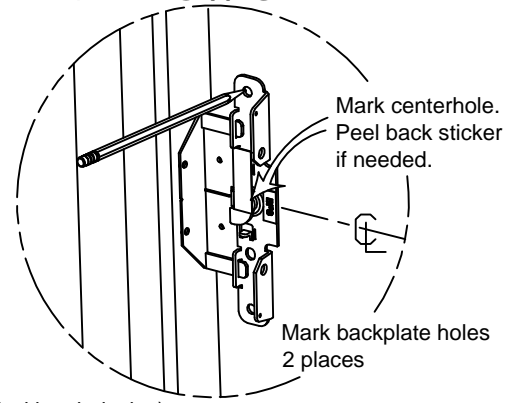


### WIDE STILE



①

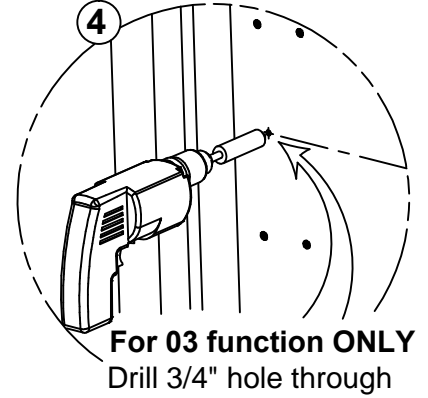
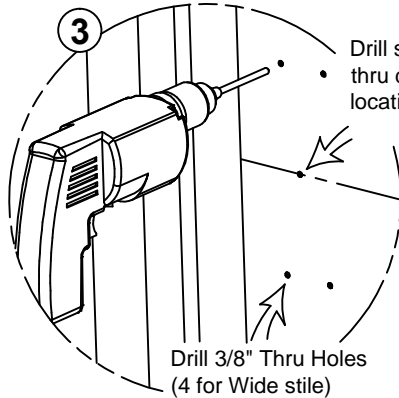
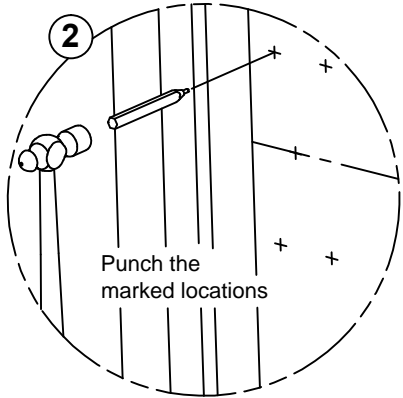
### NARROW STILE



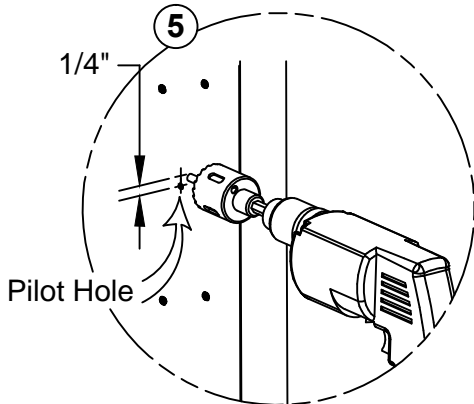
(backplate supplied with exit device)

NOTE: WIDE STILE installation shown through the remainder of instruction

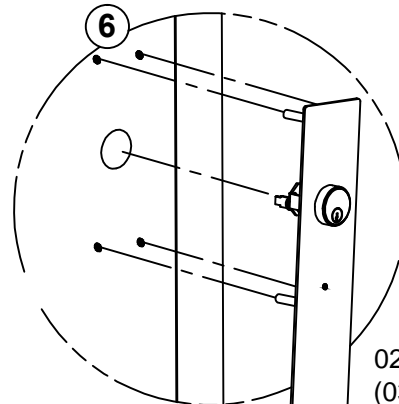
Note: All holes MUST be drilled STRAIGHT and LEVEL



### Door Preparation - Exterior Door Face

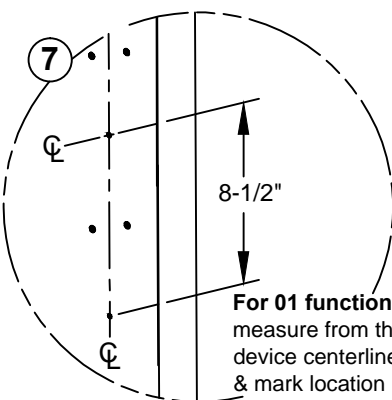
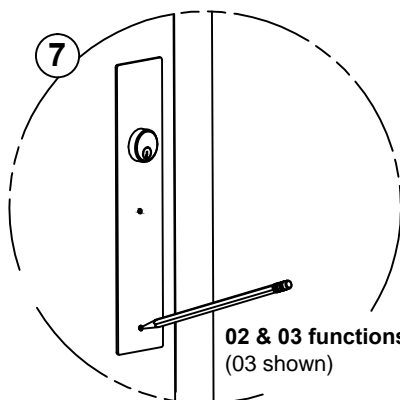


**For 03 function ONLY**  
 Drill 1-1/2" hole through  
**EXTERIOR** door face ONLY,  
 1/4" up from pilot hole

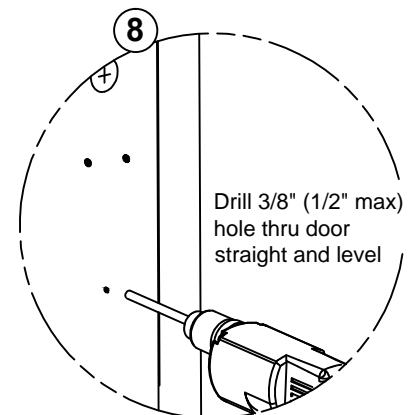


Place trim to exterior door face.

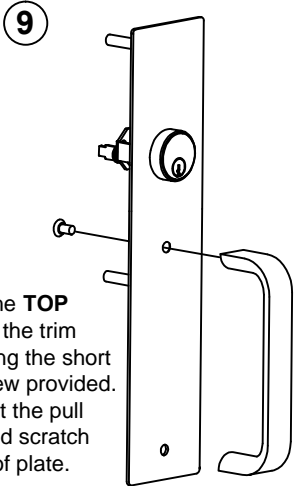
### Mark Bottom Hole



**For 01 function**  
 measure from the device centerlines & mark location



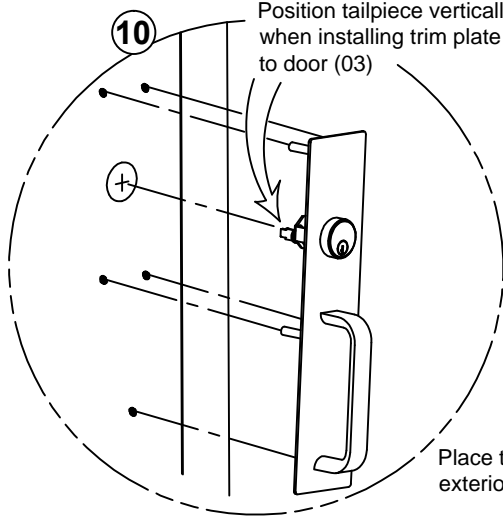
Assemble the 02 & 03 trim



Fasten the **TOP** of pull to the trim plate using the short PFH screw provided. Do not let the pull swing and scratch surface of plate.

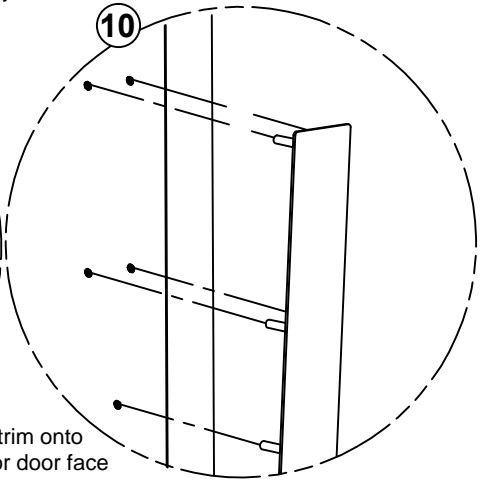
Install the trim

02 & 03 function



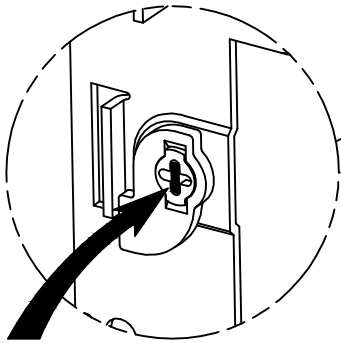
Position tailpiece vertically when installing trim plate to door (03)

01 function

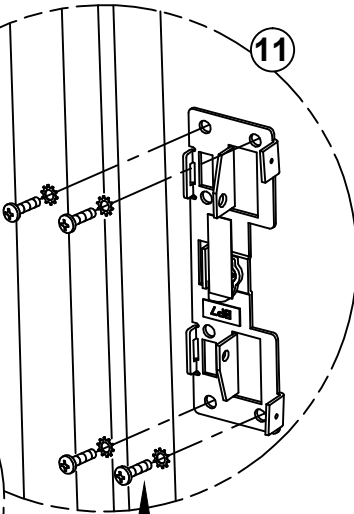
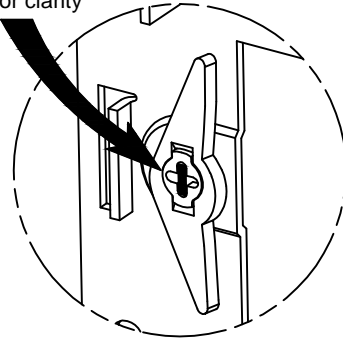


Place trim onto exterior door face

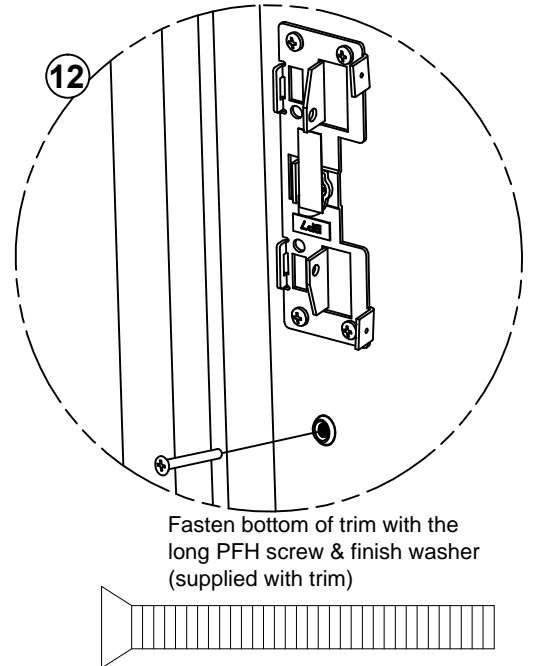
Install backplate to the trim & door



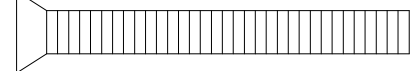
Be sure to engage trim tailpiece to backplate cam (03 only)  
Cam orientation label not shown for clarity



Install backplate with four 1/4-20 x 1" long screws and lockwashers provided with exit device



Fasten bottom of trim with the long PFH screw & finish washer (supplied with trim)



Continue with Exit Hardware Instructions