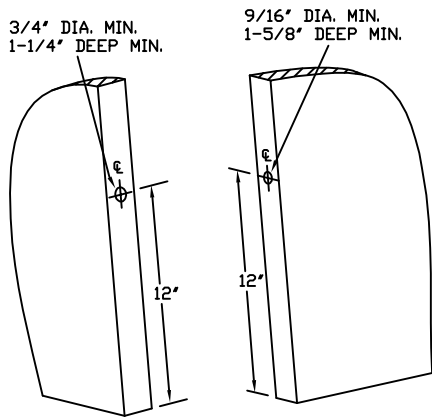
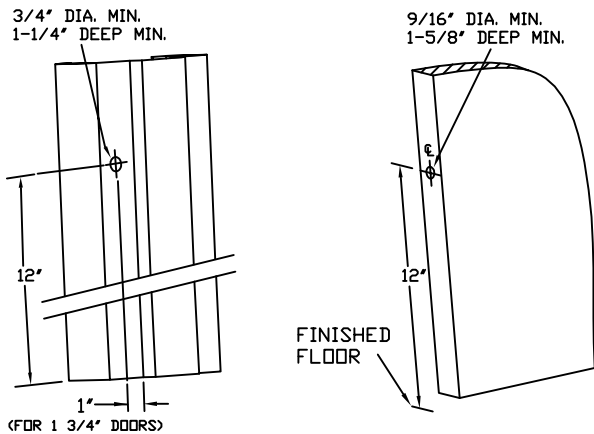


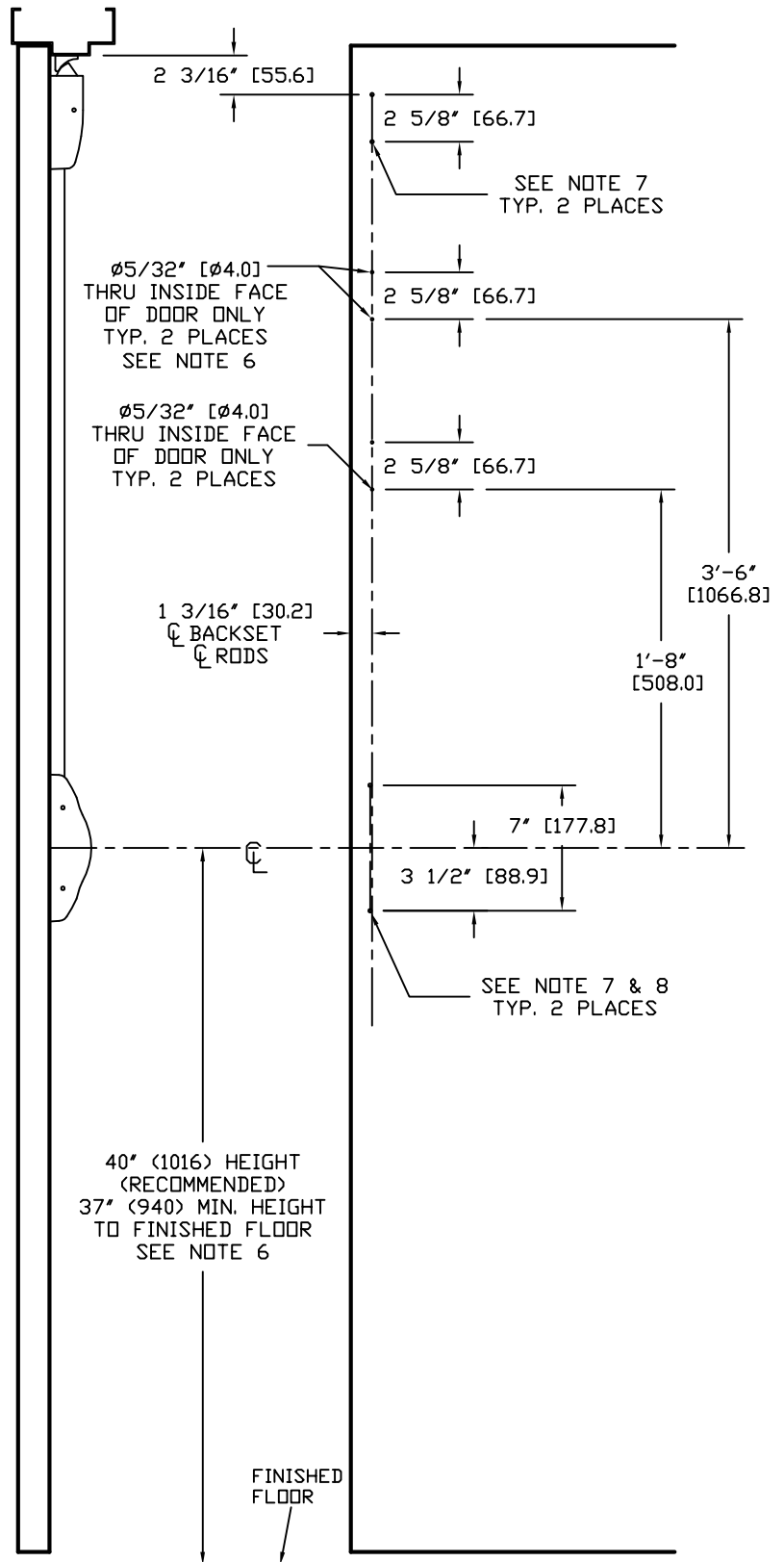
- NOTES:
- DO NOT SCALE DRAWING.
  - DIMENSIONS ARE IN INCHES [mm].
  - LHR DOOR SHOWN.
  - MINIMUM STILE WIDTH: 2" [50.8].
  - INSTALL POPPER ON FIRE RATED DOORS ONLY (PREFIX F). THE POPPER HOLES MUST BE ALIGNED WITH EACH OTHER.
  - REQUIRED FOR DOOR HEIGHTS OVER 7'0", OR IF DISTANCE BETWEEN DEVICE CENTER LINE TO TOP OF DOOR EXCEEDS 44".
  - DRILL & TAP 1/4-20 THREADS THRU INSIDE OF DOOR ONLY. IF REQUIRED, THRU-BOLT HOLE SIZE 9/32" INTERIOR DOOR FACE, AND 3/8" EXTERIOR DOOR FACE.
  - IF OUTSIDE TRIM IS REQUIRED PLEASE REFER TO OUTSIDE TRIM TEMPLATE.



FIRE RATED DOUBLE DOORS APP.  
SEE NOTE 5.



FIRE RATED SINGLE DOOR APP.  
SEE NOTE 5.



HDG. \_\_\_\_\_ DR. \_\_\_\_\_

**RESPONSIBILITY**  
Door and Frame Manufacturers are responsible for providing adequate construction or reinforcements for proper installation of hardware shown. All architectural builders hardware must be installed on properly reinforced doors and frames regardless of the type, material or method of construction.

TEMPLATE  
STEEL DOOR  
5101 & F5101 SERIES  
TOP ROD ONLY EXIT DEVICE  
BP-2 MOUNTING PLATE

**DETEX**  
CORPORATION

DO NOT SCALE DRAWING

DATE 3-29-10

TEMPLATE NUMBER T1085