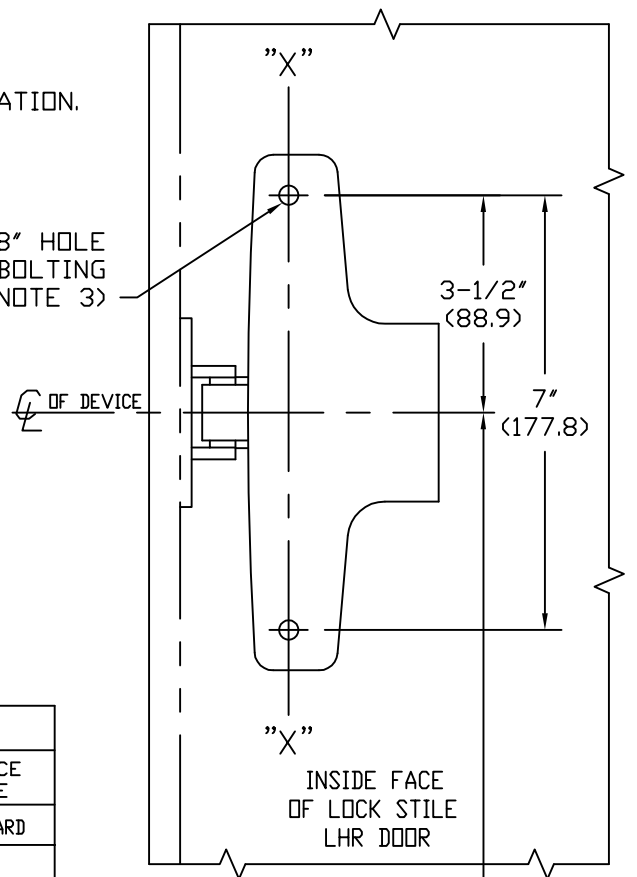
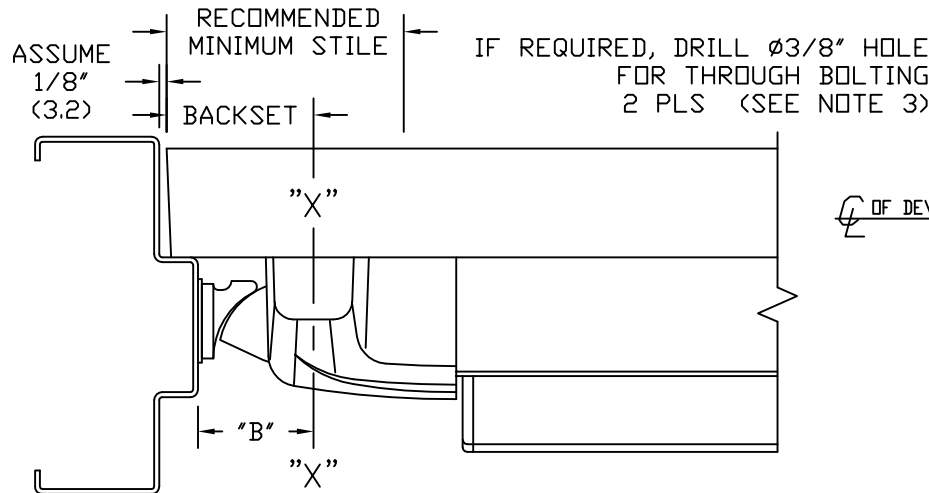


NOTE:

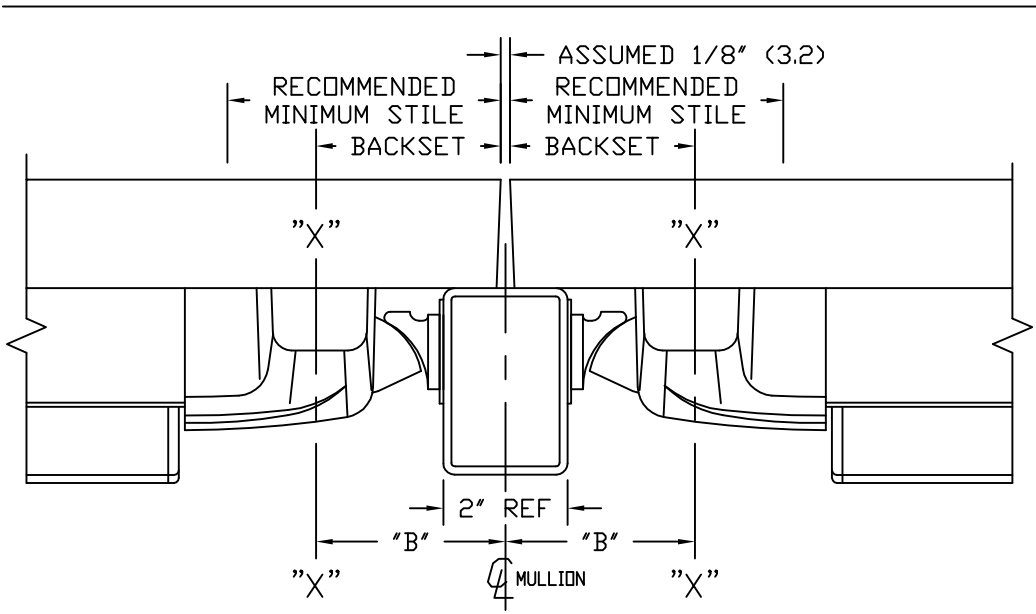
1. DIMENSIONS SHOWN IN INCHES AND (mm)
2. ASSUME A 5/8" (16mm) STOP.
3. $\phi 3/8$ " (5mm) PILOT HOLES TO BE DRILLED AT INSTALLATION.



(LHR SHOWN RHR OPPOSITE)

40" (1016) HEIGHT (RECOMMENDED)
37" (940) MIN. HEIGHT TO FINISHED FLOOR

SINGLE DOOR INSTALLATION				
STRIKE	DIM. "B"	BACKSET	RECOMMENDED MINIMUM STILE	DEVICE TYPE
99	1-3/4" (44.5)	2-1/4" (57.2)	3-1/2" (88.9)	STANDARD
98	1-1/4" (31.8)	1-3/4" (44.5)	2" (50.8)	NSK



DOUBLE DOOR INSTALLATION WITH MULLION					
MULLION	STRIKE	DIM. "B"	BACKSET	RECOMMENDED MINIMUM STILE	DEVICE TYPE
90KR & *F90KR	99	2-3/4" (69.9)	2-11/16" (68.3)	4" (101.6)	STANDARD
90KR & *F90KR	98	2-1/4" (57.1)	2-3/16" (55.6)	2-7/16" (61.9)	NSK

*STRIKE HOOK HOLE LOCATION SHOULD BE FIELD PREPARED

HDG. _____ DR. _____

RESPONSIBILITY
Door and Frame Manufacturers are responsible for providing adequate construction or reinforcements for proper installation of hardware shown. All architectural builders hardware must be installed on properly reinforced doors and frames regardless of the type, material or method of construction.

TEMPLATE
WOOD DOOR
4001 & F4001 SERIES
V4001 & FV4001 SERIES
RIM EXIT DEVICE
BP-2 or BP-8 MOUNTING PLATE

DETEX CORPORATION

DO NOT SCALE DRAWING

DATE	4-16-09	TEMPLATE NUMBER	T1037
------	---------	-----------------	-------