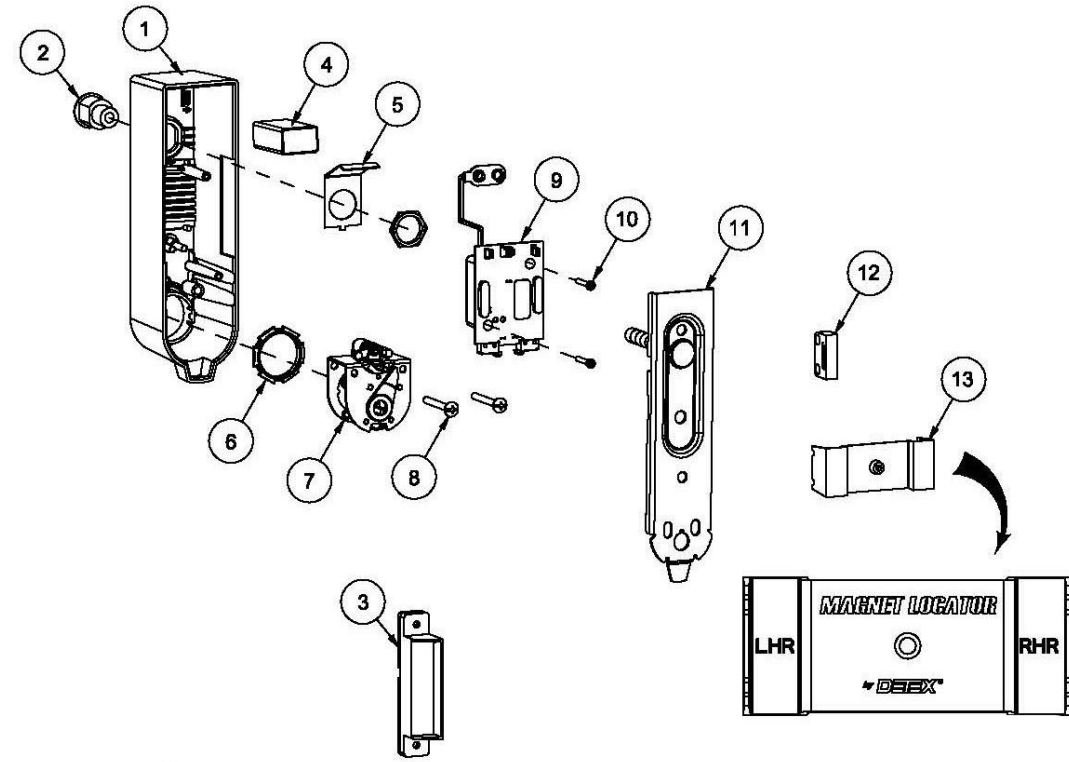




EAX-300 Parts List



**EAX-300SK
Installation only**

Item	Order Part#	Description	Price
1	105428-1	Cover, Gray	\$87.00
2	PP-5572	Cover Lock, Nut & 2 Keys	\$15.00
3	MS-1039S	Mag Switch (surface mount) (see STEP 8)	\$80.00
4	PP-5567	9 Volt Battery	\$11.00
5	102606	Battery Retainer	\$2.72
6	100783	Cylinder Hex Nut	\$8.00
7	102655	Cam Assembly Kit	\$39.00
8	102627-15	8-32 Truss Head Screw	\$1.15
9	105828-1	S & R Circuit Board Kit, Standard	\$191.33
	105837-1	S & R Circuit Board Kit, Weatherized	\$241.78
10	PP-5374-46	#4 x 3/4" Screw, PPH	\$0.34
11	102715	Backplate	\$11.55
12	102665	Magnet Kit	\$9.45
13	102607	Magnet Locator	\$1.36
14	102633	Hardware Kit (includes keystop parts)(not shown)	\$27.00

NOTE: Your particular part or configuration may not be shown: Contact Detex technical support at 800-729-3839 (option 2)

March 8, 2023

