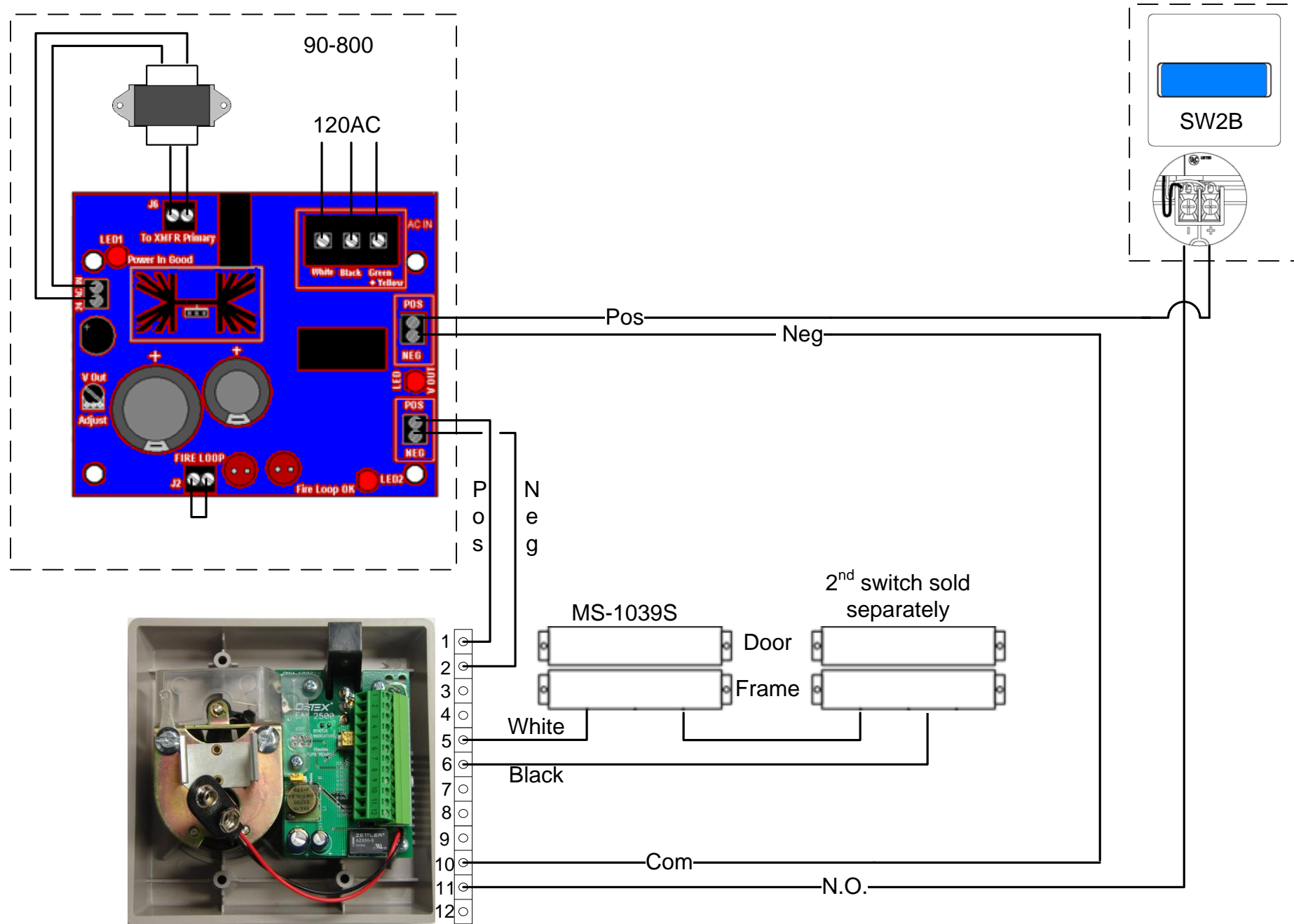
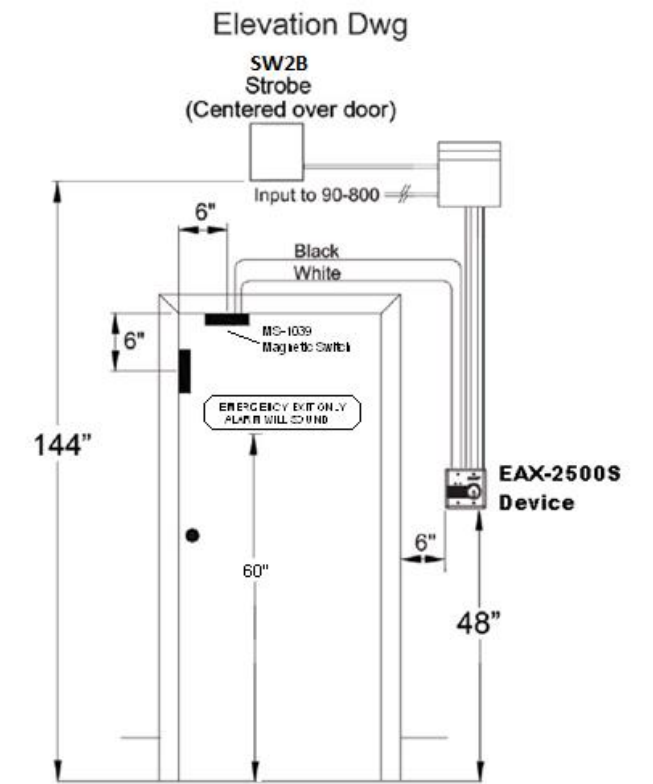


EAX-2500S with Strobe / ACD x 1S – 5 FXG

Point to Point Wiring Diagram



EAX-2500S



Theory of Operations

1. The EAX-2500S has a key stop installed, the key can only be removed in the armed position.
2. With the door closed turn the key counter clockwise from about 2:00 o'clock to 12:00 o'clock or until you get two red flashes followed by a solid green LED for 15s, remove the key. When the green LED turns off the EAX-2500S will sound 3 chirps indicating that it is armed.
3. If the door is opened without turning the EAX2500S off the EAX2500S will go into alarm, this in turn will cause the SW2B to activate.
4. The alarm can only be silenced with the key.
5. If the screws are removed when the EAX2500S is armed it will also go into alarm.

Part Description: Diagram EAX-2500S with Strobe ACD 5 FXG

DWG NO: 104858

Date: 2- 25-15

Revised by: jmh

302 Detex Drive
New Braunfels, Texas
800-7293839
www.detex.com

