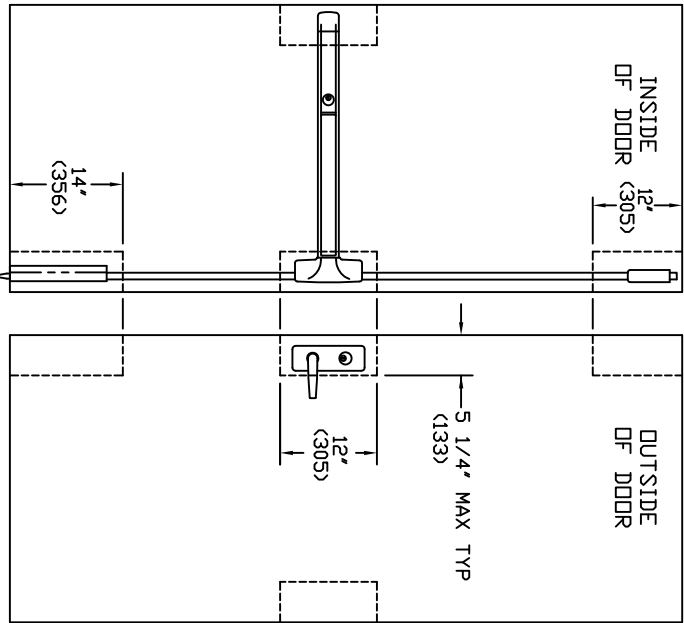
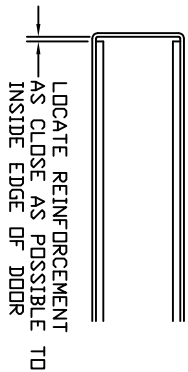
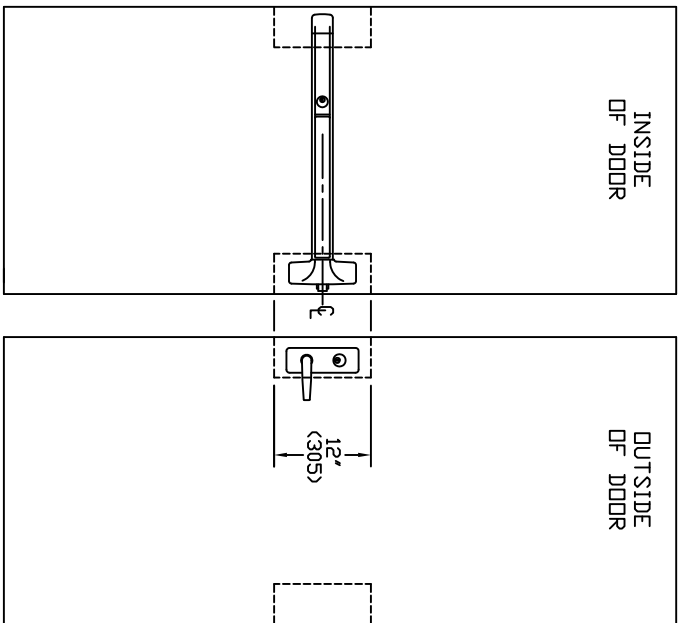


SURFACE VERTICAL ROD DEVICE



RIM, CONCEALED VERTICAL ROD DEVICES



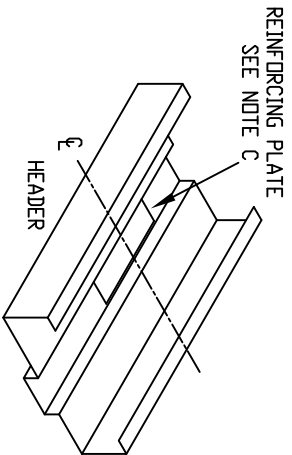
REINFORCING NOTES

- A. RECOMMENDED SIZES OF REINFORCING ARE SHOWN AT LEFT.
- B. RECOMMENDED THICKNESS OF REINFORCING IS 12 GAGE.
- C. 18" x 12 GA REINFORCEMENT AT CENTERLINE OF HEADER FOR SVR DEVICE.
- D. 10" x 12 GA REINFORCEMENT AT DEVICE CENTERLINE
- E. NO SPECIAL FRAME REINFORCEMENT NECESSARY FOR CVR DEVICES.

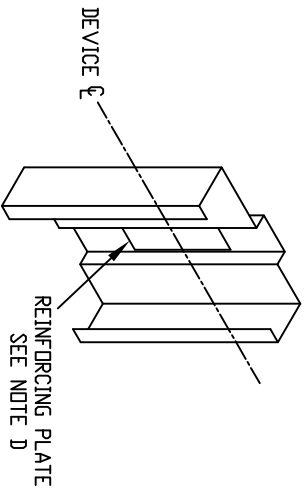
IMPORTANT INFORMATION

- 1. PAY PARTICULAR ATTENTION TO HARDWARE REQUIREMENTS BEFORE PREPARING THE DOOR.
- 2. IF NO OUTSIDE TRIM IS USED, REINFORCEMENT OF THE OUTSIDE DOOR SKIN IS NOT REQUIRED UNLESS THE DEVICE IS THRU BOLTED.
- 3. HINGE STILE PREPARATION IS TO BE DONE AT INSTALLATION.
- 4. DIMENSIONS GIVEN IN INCHES AND (mm).
- 5. RECOMMENDED DEVICE CENTER LINE IS 40" ABOVE FINISHED FLOOR.

SURFACE VERTICAL ROD DEVICE



RIM DEVICES ONLY



RESPONSIBILITY

Door and Frame Manufacturers are responsible for providing adequate construction or reinforcements for proper installation of hardware shown. All architectural builders hardware must be installed on properly reinforced doors and frames regardless of the type, material or method of construction.

MASTER REINFORCING SHEET

FOR MODELS METAL DOORS _____



DD NOT SCALE DRAWING

DATE 6-16-11

TEMPLATE NUMBER T1000